

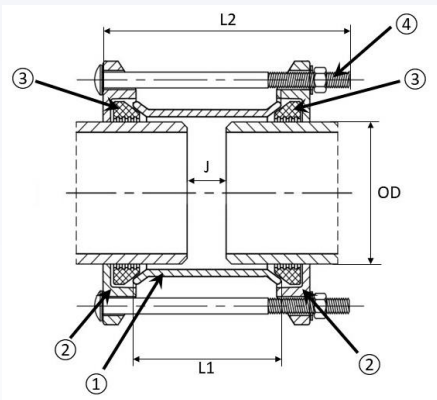
## Model: AY-GH

### Application

K-TOP Slip On Type Coupling is suitable for joining 2 pipes/ fittings with both spigot ends especially in repair situations. This product have easy installation and reconfiguration design, excellent corrosion resistant with 250µm epoxy coating features.

### Technical Specification

Nominal Size: DN80 ~ DN600  
 Max. Working Pressure: PN16  
 Coating: Fusion Bonded Epoxy (min. 250µm)



#	Description	Material
1	Body	Carbon Steel
2	Gland	Ductile Iron
3	Gasket	EPDM
4	Fixing	Carbon Steel / Stainless Steel

### Dimensions (DN80 – 600)

Size	OD	L1	J min	J max	Fixing Bolt L2
DN 80	88-103	102	5	40	4 x M12 x 180
DN 100	108-128	102	7	40	4 x M12 x 180
DN 150	158-181	102	9	40	4 x M12 x 190
DN 200	218-235	130	12	45	4 x M12 x 220
DN 250	272-289	130	15	45	6 x M12 x 230
DN 300	315-332	130	17	55	6 x M12 x 230
DN 350	374-391	150	20	55	8 x M16 x 260
DN 400	400-429	150	22	55	8 x M16 x 260
DN 450	476-493	150	26	55	10 x M16 x 260
DN 500	500-532	150	28	55	10 x M16 x 260
DN 600	630-647	150	34	55	10 x M16 x 260

For larger DN, please contact with us



Member of Metal Manufactures Group

香港 灣仔 謝菲道90號 豫港大廈5樓

5/F Henan Building, 90 Jaffe Road, Wanchai, Hong Kong

Tel: +852 2528 0999 Fax: +852 2528 3113 Email: info@kembla.com.hk Website: www.kembla.com.hk