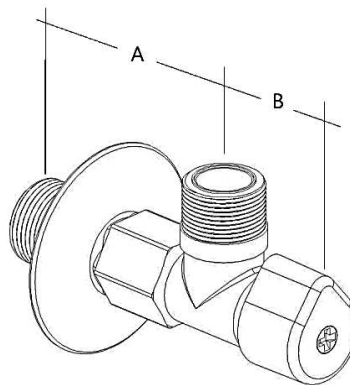


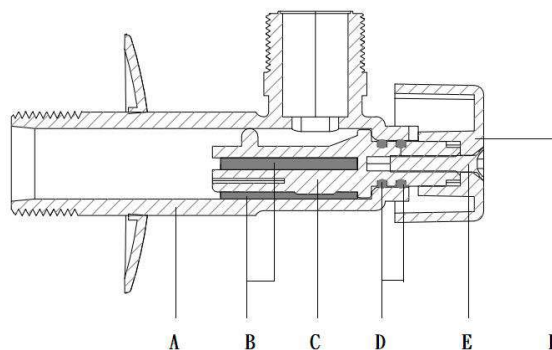
Legend



15mm Plastic Angle Valve

15毫米膠曲尺掣

Model No.	Nom. Size (mm)	A (mm)	B (mm)
LV 501	15	65	36



• Material

- A. Body - Polyamide
- B. Gaskets - EPDM
- C. Stem - Polyamide
- D. Gaskets - EPDM
- E. Screw - Grade 316 Stainless Steel
- F. Handle - Polyamide

Model : LV501

Product : Plastic Angle Valve

Product Standard : BSEN 200

Thread Standard : 1/2" BSP

Origin : P.R.C

Body Marking : Legend BSEN 200 15mm

Legend Plastic Limited

For more information, please contact Legend local distribution, Kembla (HK) Limited

Address: 5/F, Henan Building, 90 Jaffe Road, Wan Chai, Hong Kong Tel.: 852-2528 0999 Email: info@kembla.com.hk

© 2019 Legend Plastic Limited, Hong Kong. The products dimensions are for reference only and the right to introduce modifications is reserved.