

GATE VALVE TYPE-S (Soft Seal) 50mm - 200mm(2inch - 8inch)

Hand Wheel

FEATURES

Reliable Watertightness

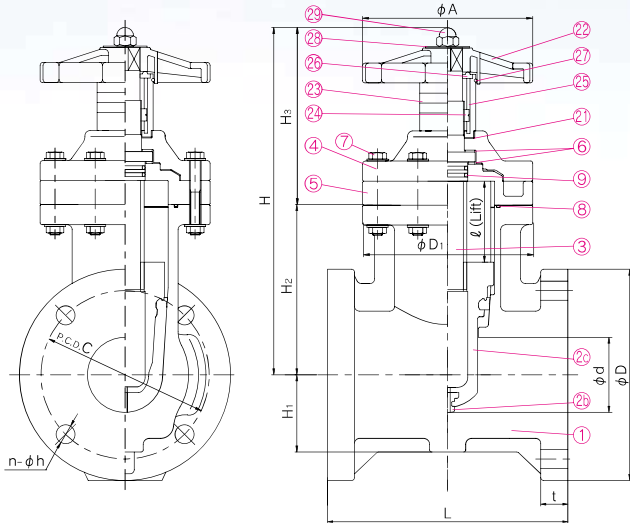
The rubber valve seat, a soft seal type, offers reliable shut-off.

Provides Smooth Flow

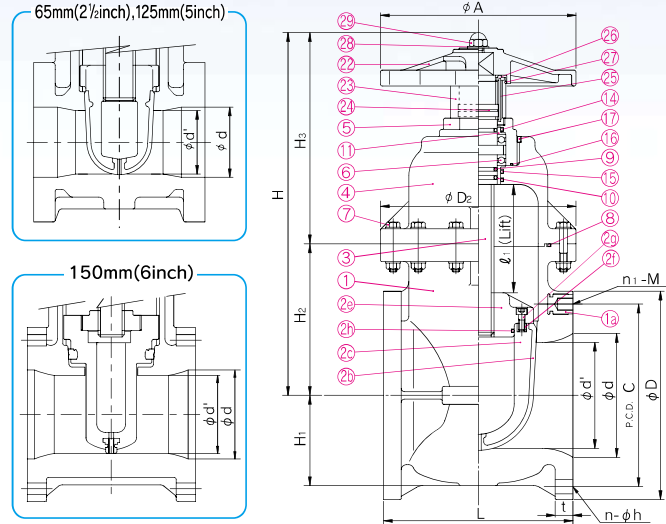
Being free of cavities, the valve body has no sand or foreign matter build up in it, thus providing a smooth flow.

※ Threaded End Type (40mm, 50mm) are available.

●50mm(2inch)~150mm(6inch) (STEM:PVC)



●200mm(8inch) (STEM:PVC)



PARTS & MATERIALS

No.	DESCRIPTION	Pcs.	MATERIAL	No.	DESCRIPTION	Pcs.	MATERIAL	No.	DESCRIPTION	Pcs.	MATERIAL
①	BODY	1	HI-PVC	⑥	THRUST RING	2	PP,SUJ2	⑰	SET SCREW(A)	1	STAINLESS STEEL304
⑱	INSERTED METAL OF BODY	4	COPPER ALLOY(C3604)	⑦	BOLT·NUT	—	STAINLESS STEEL304	⑳	PACKING	1	EPDM
㉑	SEAT	1	SBR,NBR	㉒	O-RING(A)	1	EPDM, Others	㉓	HAND WHEEL	1	PP
㉔	GATE(A)	1	HI-PVC,C-PVC	⑧	O-RING(B)	1	EPDM, Others	㉔	INDICATING COVER	1	PC
㉕	GATE(B)	1	PP	⑨	O-RING(C)	2-3	EPDM, Others	㉕	INDICATING RING	1	PVC
㉖	INSERTED METAL OF GATE(A)	4	COPPER ALLOY(C3604)	⑭	O-RING(E)	1	EPDM, Others	㉖	GUIDE PIN	1	STAINLESS STEEL304
㉗	BOLT(A)	4	STAINLESS STEEL304	⑮	O-RING(F)	1	EPDM, Others	㉗	GUIDE PIN HOLDER	1	PVC
③	STEM	1	PVC	⑯	O-RING(D)	1	EPDM, Others	㉘	O-RING(G)	1	EPDM
④	BONNET(A)	1	HI-PVC	⑩	BUSH(A)	1	PP	㉙	WASHER	1	PVC
⑤	BONNET(B)	1	HI-PVC	⑪	BUSH(B)	1	PP	㉚	BOX NUT	1	STAINLESS STEEL304

DIMENSIONS TABLE

Nominal Size		d	d ₁	JIS 10K					L	t	D ₁	A	ℓ	H	H ₁	H ₂
mm	inch			D	C	n	h	n ₁ -M								
50	2	50	—	155	120	4	19	—	180	23	130	130	52	270	134	136
65	2½	65	—	175	140	4	19	—	190	24	155	155	67	302	152	150
80	3	75	—	185	150	8	19	—	200	25	170	170	77	325	170	155
100	4	100	—	210	175	8	19	—	230	27	195	195	102	370	207	163
125	5	125	110	250	210	8	23	—	260	27	235	235	112	407	227	180
150	6	150	130	280	240	8	23	—	270	28	270	270	132	445	263	182
200	8	196	168	330	290	10	23	2-M20	290	28	310	310	175	577	240	337

Nominal Size		d	d ₁	DIN PN10					L	t	D ₁	A	ℓ	H	H ₁	H ₂
mm	inch			D	C	n	h	n ₁ -M								
50	2	50	—	165	125	4	18	—	180	23	130	130	52	270	134	136
65	2½	65	—	185	145	4	18	—	190	24	155	155	67	302	152	150
80	3	75	—	200	160	8	18	—	200	25	170	170	77	325	170	155
100	4	100	—	220	180	8	18	—	230	27	195	195	102	370	207	163
125	5	125	110	250	210	8	18	—	260	27	235	235	112	407	227	180
150	6	150	130	285	240	8	23	—	270	28	270	270	132	445	263	182
200	8	196	168	340	295	6	23	2-M20	290	28	310	310	175	577	240	337

Nominal Size		d	d ₁	ANSI CLASS 150					L	t	D ₁	A	ℓ	H	H ₁	H ₂
inch	mm			D	C	n	h	n ₁ -M								
2	50	1.97	—	5.98	4.74	4	0.75	—	7.01	0.91	5.12	5.12	2.05	10.63	5.28	5.35
2½	65	2.56	—	7.01	5.49	4	0.75	—	7.48	0.94	6.10	6.10	2.64	11.89	5.98	5.91
3	80	2.95	—	7.52	6.00	4	0.75	—	7.99	0.98	6.69	6.69	3.03	12.79	6.69	6.10
4	100	3.94	—	9.02	7.50	8	0.75	—	9.02	1.06	7.68	7.68	4.02	14.57	8.15	6.42
5	125	4.92	4.33	10.00	8.50	8	0.87	—	10.24	1.06	9.25	9.25	4.41	16.03	8.94	7.09
6	150	5.91	5.12	10.98	9.51	8	0.87	—	10.51	1.06	10.63	10.63	5.20	17.52	10.35	7.17
8	200	7.72	6.61	13.50	11.75	6	0.87	2-W¾	11.50	1.10	12.20	12.20	6.89	22.72	9.45	13.27

GATE VALVE TYPE-S (Soft Seal) 50mm - 200mm(2inch - 8inch)

Cap(square Nut) Model

FEATURES

Built-in Stopper

Feeling in the shut, position.

Reliable Watertightness

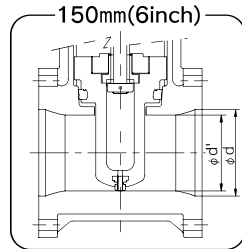
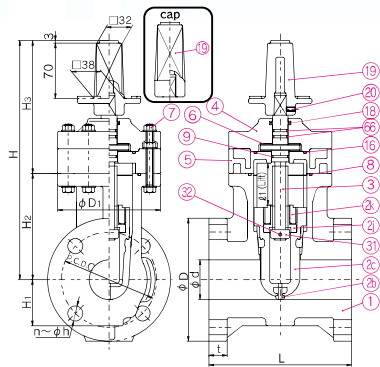
The rubber valve seat, a soft seal type, offers reliable shut-off.

Provides Smooth Flow

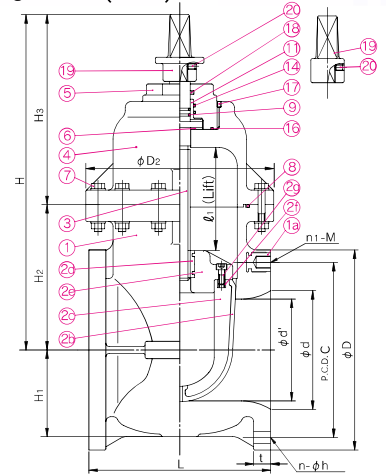
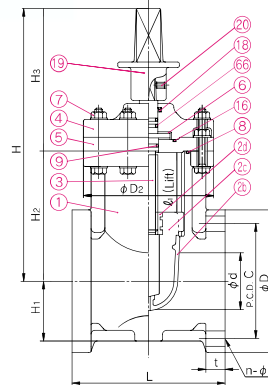
Being free of cavities, the valve body has no sand or foreign matter build up in it, thus providing a smooth flow.

※ Threaded End Type (40mm, 50mm)are available.

● 32mm(1¼inch) – 150mm(6inch)
(basides 65mm(2½inch), 125mm(5inch))



● 65mm(2½inch), 125mm(5inch) ● 200mm(8inch)



PARTS & MATERIALS

No.	DESCRIPTION	Pcs.	MATERIAL	No.	DESCRIPTION	Pcs.	MATERIAL	No.	DESCRIPTION	Pcs.	MATERIAL
①	BODY	1	HI-PVC	⑭	FEMALE SCREW HOLDER	1	HI-PVC	⑯	O-RING(D)	1	EPDM, Others
⑬	INSERTED METAL OF BODY	4	COPPER ALLOY(C3604)	⑮	STEM	1	SUS304, Others	⑩	BUSH(A)	1	PP
⑳	SEAT	1	SBR, NBR	④	BONNET(A)	1	HI-PVC	⑪	BUSH(B)	1	PP
㉑	GATE(A)	1	C-PVC	⑤	BONNET(B)	1	HI-PVC	⑰	SET SCREW(A)	1	STAINLESS STEEL304
㉒	INSERTED METAL OF GATE(A)	1	BC6	⑥	THRUST RING	2	PP	⑱	DUST SEAL	1	EPDM
㉓	GATE(B)	1	PP	⑦	BOLT · NUT	—	STAINLESS STEEL304	⑲	CAP(A)	1	FCD450, FC200(65,125,200mm)
㉔	INSERTED METAL OF GATE(B)	4	COPPER ALLOY(C3604)	⑧	O-RING(B)	1	EPDM, Others	⑳	SET SCREW(B)	1	STAINLESS STEEL304
㉕	BOLT(A)	4	STAINLESS STEEL304	⑨	O-RING(C)	1·2	EPDM, Others	㉑	O-RING(H)	2	EPDM
㉖	FEMALE SCREW METAL	1	COPPER ALLOY(C3604)	⑭	O-RING(E)	2	EPDM, Others				

DIMENSIONS TABLE

JIS		Unit:mm															
Nominal Size	mm	inch	d	d ₁	JIS 10K					L	t	D ₁	A	ℓ	H	H ₁	H ₂
					D	C	n	h	n ₁ -M								
50	2	50	—	155	120	4	19	—	180	23	130	130	52	270	134	136	
65	2½	65	—	175	140	4	19	—	190	24	155	155	67	302	152	150	
80	3	75	—	185	150	8	19	—	200	25	170	170	77	325	170	155	
100	4	100	—	210	175	8	19	—	230	27	195	195	102	370	207	163	
125	5	125	110	250	210	8	23	—	260	27	235	235	112	407	227	180	
150	6	150	130	280	240	8	23	—	270	28	270	270	132	445	263	182	
200	8	196	168	330	290	10	23	2-M20	290	28	310	310	175	577	240	337	

DIN		Unit:mm															
Nominal Size	mm	inch	d	d ₁	DIN PN10					L	t	D ₁	A	ℓ	H	H ₁	H ₂
					D	C	n	h	n ₁ -M								
50	2	50	—	165	125	4	18	—	180	23	130	130	52	270	134	136	
65	2½	65	—	185	145	4	18	—	190	24	155	155	67	302	152	150	
80	3	75	—	200	160	8	18	—	200	25	170	170	77	325	170	155	
100	4	100	—	220	180	8	18	—	230	27	195	195	102	370	207	163	
125	5	125	110	250	210	8	18	—	260	27	235	235	112	407	227	180	
150	6	150	130	285	240	8	23	—	270	28	270	270	132	445	263	182	
200	8	196	168	340	295	6	23	2-M20	290	28	310	310	175	577	240	337	

ANSI		Unit:inch															
Nominal Size	inch	mm	d	d ₁	ANSI CLASS 150					L	t	D ₁	A	ℓ	H	H ₁	H ₂
					D	C	n	h	n ₁ -M								
2	50	1.97	—	5.98	4.74	4	0.75	—	7.01	0.91	5.12	5.12	2.05	10.63	5.28	5.35	
2½	65	2.56	—	7.01	5.49	4	0.75	—	7.48	0.94	6.10	6.10	2.64	11.89	5.98	5.91	
3	80	2.95	—	7.52	6.00	4	0.75	—	7.99	0.98	6.69	6.69	3.03	12.79	6.69	6.10	
4	100	3.94	—	9.02	7.50	8	0.75	—	9.02	1.06	7.68	7.68	4.02	14.57	8.15	6.42	
5	125	4.92	4.33	10.00	8.50	8	0.87	—	10.24	1.06	9.25	9.25	4.41	16.03	8.94	7.09	
6	150	5.91	5.12	10.98	9.51	8	0.87	—	10.51	1.06	10.63	10.63	5.20	17.52	10.35	7.17	
8	200	7.72	6.61	13.50	11.75	6	0.87	2-W¾	11.50	1.10	12.20	12.20	6.89	22.72	9.45	13.27	

DIAPHRAGM VALVE
BALL VALVE
BUTTERFLY VALVE
SWING CHECK VALVE
BALL CHECK BALL FOOT VALVE
STOP VALVE
GAUGE VALVE
GATE VALVE
AUTOMATIC WATER FEEDING VALVE
ROTARY ANGLE VALVE
ALFALFA VALVE
CONSTANT FLOW VALVE
NEEDLE VALVE
Y-SEDIMENT STRAINER
AIR RELEASE VALVE