

## Fig. 369A Extension Sleeve

### FEATURES & BENEFITS

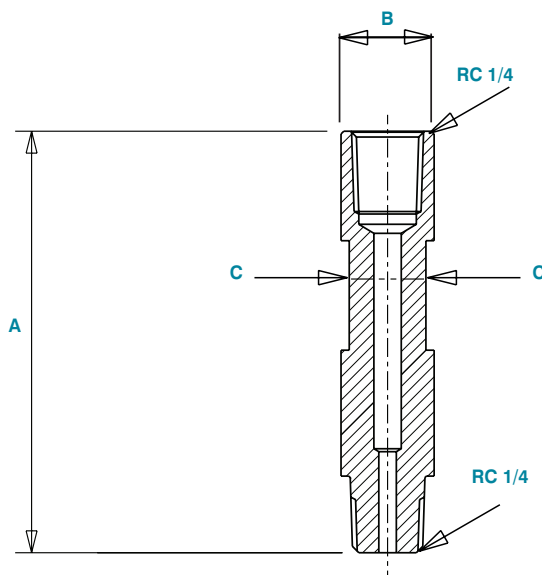
The Fig. 369A extension sleeves allow Hattersley Valves to be insulated to a thickness of 2 inch without the test points being covered.

- Taper threaded to BS EN 10226-2 (ISO 7-1) formerly BS 21
- For use with Hattersley Fig. 631 test points
- Compatible with all Hattersley Double Regulating Valves and Metering Stations
- Easy to install
- Fig. 369A Part number: 050M0369AF003

### MATERIAL SPECIFICATION

Component	Material	Specification
Body	Stainless Steel 31	BS EN 10088-1.4404

### DIMENSIONAL DRAWINGS



### DIMENSIONS & WEIGHTS

Nom Size		ONE SIZE
A	mm	77
B	mm	17
C	mm	14 AF
Weight	kg	0.992