

# Fig.973W Lever Operated Double Regulating Valve



## FEATURES & BENEFITS

- WRAS approved Double Regulating Valves consist of a fully lugged, WRAS approved EPDM liner butterfly valve with a Double Regulating Lever
- The Double Regulating feature allows the valve to be used for isolation and to be reopened to its pre-set position to maintain required flow rate
- Use the Fig.973W with Orifice plate Fig.M2000 for Commissioning Set

## MATERIALS

Component	Material	Specification
Body	Ductile Iron	ASTM A536 65-45-12
Disc	Aluminium Bronze	
Seat	EPDM WRAS approved	WRAS approved
Shaft	Stainless Steel	ASTM A532 Type 416
Taper Pin	Stainless Steel	ASTM A276 Type 316
Key	Carbon Steel	
O-Ring	Nitrile (Buna)	
Shaft Bushing	PTFE or Bronze	



Fig.973W

## DIMENSIONS & WEIGHTS

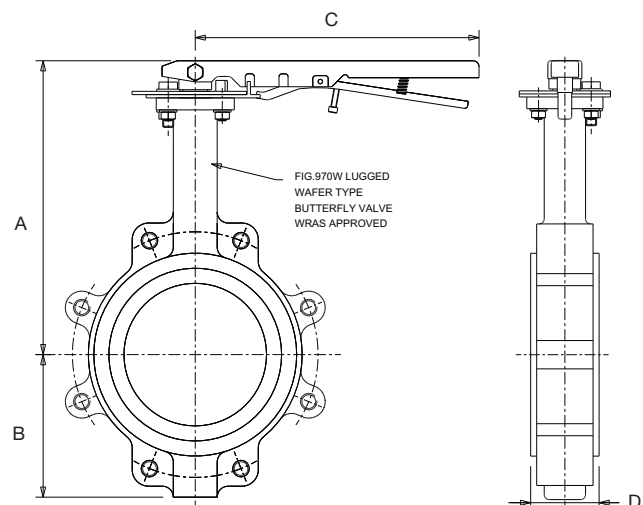
Size (DN)	A (mm)	B (mm)	C (mm)	D (mm)	Weight (kg)
65	207	95	260	48	5
80	213	102	260	48	8
100	232	124	260	48	13
125	245	137	260	57	14
150	256	150	266	57	15

## COEFFICIENTS\*

Size (DN)	Flow (Kv)	Headloss (K)
65	170	0.856
80	261	0.856
100	519	0.650
125	884	0.553
150	1142	0.483

\* Fully open position  
\* Fully open position

## DIMENSIONAL DRAWINGS



PRESSURE RATING 16 bar TEMPERATURE RATING -10 to 80 °C



PO BOX 719, IPSWICH, IP1 9DU  
HOME SALES: +44 (0)1744 458670  
EXPORT SALES: +44 (0)1744 458671  
TECHNICAL HELPLINE: 0845 604 1790

FAX: +44 (0)1744 26912  
EMAIL: [uksales@hattersley.com](mailto:uksales@hattersley.com)  
EMAIL: [export@hattersley.com](mailto:export@hattersley.com)  
[www.hattersley.com](http://www.hattersley.com)

Every effort has been made to ensure that the information contained in this publication is accurate at the time of publishing. Hattersley assumes no responsibility or liability for typographical errors or omissions or for any misinterpretation of the information within the publication and reserves the right to change without notice.

H\_973W\_09\_2013