

**Fig. 33X & 33XLS**  
**Bronze**



**FEATURES & BENEFITS**

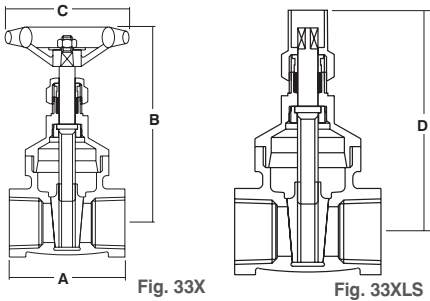
- Robust and high quality bronze body with integral seating surfaces
- Kitemarked to BS EN 12288
- WRAS approved for use on wholesome (potable) water in sizes 1/2" – 2" only
- WRAS approval temperature 85°C
- Inside screw pattern with non-rising stem



**MATERIAL SPECIFICATION**

Component	Material	Specification	
		BS EN	ASTM
Body	Bronze	1982 CC491K	B62 C83600
Bonnet	Bronze	1982 CC491K	B62 C83600
Stem (1/4" to 3")	DZR Brass	12164 CW602N	
Stem (4")	Al Bronze	12163 CW301G	B150 C64200
Disc	Bronze	1982 CC491K	B62 C83600
Stuffing Box (2 1/2" & 3")	Brass	12165 CW617N	B124 C37700
Stuffing Box 4"	Bronze	1982 CC491K	B62 C83600
Packing Ring	Asbestos Free	-	
Gland (1/2" to 3")	Brass	12164 CW614N	
Gland (4")	Bronze	1982 CC491K	B62 C83600
Lockshield Cap	Brass	12164 CW614N	
Packing Nut (1/2" to 3")	Brass	12164 CW614N	
Packing Nut (4")	Bronze	1982 CC491K	B62-C83600
Handwheel	Aluminium	-	
Identification Plate	Aluminium	-	
Gasket	Fibre	-	
Handwheel Nut	Brass	12164 CW614N	

**DIMENSIONAL DRAWINGS**



**PRESSURE/TEMPERATURE RATING**

BS EN 12288 PN20 Series B  
9 bar at 180°C  
20 bar from -10 to 100°C

**TEST PRESSURES (PNEUMATIC)**

Shell: 6 bar  
Seat: 6 bar

**(HYDRAULIC)**

Shell: 30 bar  
Seat: 22 bar

**SPECIFICATION**

Kitemarked to BS EN 12288:2010.

WRAS Approved Product.

Non-rising stem.

Threaded bonnet.

One piece wedge.

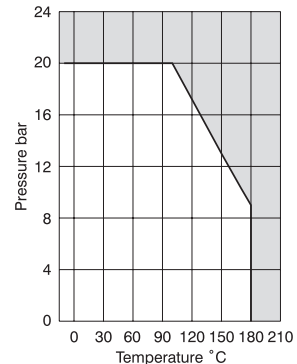
Taper threaded BS EN 10226 formerly BS 21.

Available with NPT thread (33XAT) 1/2 to 4".

Available with lockshield (33XLS) up to 2".

**DIMENSIONS & WEIGHTS**

Nom Size	in	1/4	3/8	1/2	3/4	1	1 1/4	1 1/2	2	2 1/2	3	4
A	mm	46	46	51	55	63	71	73	83	96	105	162
B	mm	75	75	82	95	118	144	166	190	219	259	366
C	mm	57	57	5	69	69	76	81	94	140	150	232
D	mm	-	-	86	112	124	149	175	196	227	270	376
Weight	kg	0.27	0.26	0.35	0.55	0.84	1.18	1.66	2.55	4.30	6.4	18.37



Every effort has been made to ensure that the information contained in this publication is accurate at the time of publishing. Hattersley Ltd assumes no responsibility or liability for typographical errors or omissions or for any misinterpretation of the information within the publication and reserves the right to change without notice.