



# Fig.973W Lever Operated Double Regulating Valve

## FEATURES & BENEFITS

- WRAS approved Double Regulating Valves consist of a fully lugged, WRAS approved EPDM liner butterfly valve with a Double Regulating Lever
- The Double Regulating feature allows the valve to be used for isolation and to be reopened to its pre-set position to maintain required flow rate
- Use the Fig.973W with Orifice plate Fig.M2000 for Commissioning Set

## MATERIALS

Component	Material	Specification	
		BS EN	ASTM
Body	Ductile Iron	1563 EN-JS 1030	A536 65-45-12
Disc	Aluminium Bronze	1982:2008 CC331G	B148 C95400
Seat	EPDM WRAS approved	WRAS approved	
Shaft	Stainless Steel 410	10088-1:2014 1.4006	UNS41000 (SS410)
Taper Pin	Stainless Steel	-	A276 Type 316
Key	Carbon Steel	-	-
O-Ring	Nitrile (Buna)	-	-
Shaft Bushing	PTFE or Bronze	-	-

Note: BS EN material grade is the nearest equivalent to the ASTM grade.



Fig.973W

## DIMENSIONS & WEIGHTS

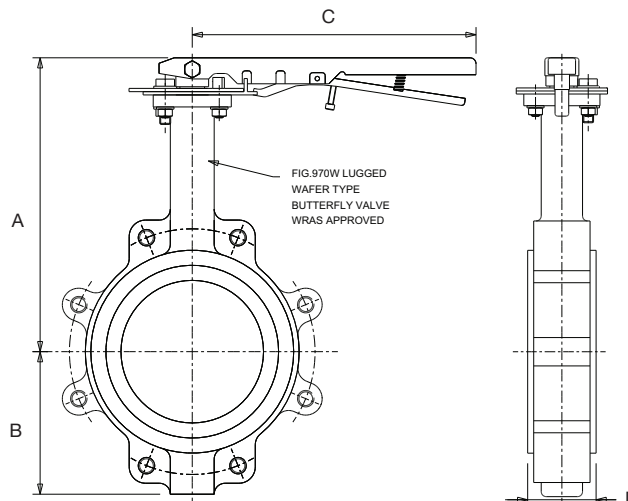
Size (DN)	A (mm)	B (mm)	C (mm)	D (mm)	Weight (kg)
65	207	95	260	48	5
80	213	102	260	48	8
100	232	124	260	48	13
125	245	137	260	57	14
150	256	150	266	57	15

## COEFFICIENTS\*

Size (DN)	Flow (Kv)	Headloss (K)
65	170	0.856
80	261	0.856
100	519	0.650
125	884	0.553
150	1142	0.483

\* Fully open position  
\* Fully open position

## DIMENSIONAL DRAWINGS



PRESSURE RATING 16 bar TEMPERATURE RATING -10 to 80°C



EPSILON TERRACE, WEST ROAD,  
IPSWICH, IP3 9FJ  
HOME SALES: +44 (0)1473 277410  
EXPORT SALES: +44 (0)1473 277450  
TECHNICAL HELPLINE: +44 (0)1473 277400

FAX: +44 (0)1473 277411  
EMAIL: [uksales@hattersley.com](mailto:uksales@hattersley.com)  
EMAIL: [export@hattersley.com](mailto:export@hattersley.com)  
[www.hattersley.com](http://www.hattersley.com)

Every effort has been made to ensure that the information contained in this publication is accurate at the time of publishing. Hattersley assumes no responsibility or liability for typographical errors or omissions or for any misinterpretation of the information within the publication and reserves the right to change without notice.

H\_973W\_08\_2018