

# Fig.1934 DN32

## Pressure Independent Control Valve

PN16

### FEATURES & BENEFITS

- Comprehensive flow range available, allowing for cost effective valve selections. The PICV Elite Prime has up to 80% higher max flow compared to the previous model
- Accurate over a wide  $\Delta P$  range - up to 800kPa
- Flow can be precisely measured with Fig. 1000 FMD to  $\pm 5\%$  accuracy (sold separately)
- Class IV leakage
- PN16 rated product, suitable for high pressure applications
- Design validation testing to BSRIA BTS01. As per Cyclic Testing requirements, valve subjected to 10,000 cycles (equivalent to 15 years\* of typical service)
- Comprehensive testing undertaken for each valve - pressure tested to BS EN 12266-1
- Integral test points for verification of  $\Delta P$  and valve performance
- Built in convoluted integral diaphragm
- Smaller and lighter design suits applications with a small footprint

\* based on two full stroke cycles per day



### MATERIAL SPECIFICATION

Item	Description	Material
1	Body	DZR Brass BS EN 12165 (CW602N)
2	Bonnet	DZR Brass BS EN 12165 (CW602N)
3	End Cap	DZR Brass BS EN 12165 (CW602N)
4	P84 Test Point	DZR Brass BS EN 12165 (CW602N)
5	Setting Dial	Nylon 6
6	DP Controller	Stainless Steel 303
7	Springs	Stainless Steel 302
8	Diaphragm	EPDM
9	O-Rings	EPDM
10	O-Ring Insert	DZR Brass BS EN 12165 (CW602N)
11	Stem	Stainless Steel 303

### PRESSURE/ TEMPERATURE RATING

16 Bar / 0°C to 90°C

**MEDIUM:** Group 2 Liquids

### END CONNECTIONS

BSP Female Taper to BS EN 10226-2

**bimstore**

**FutureFlow**

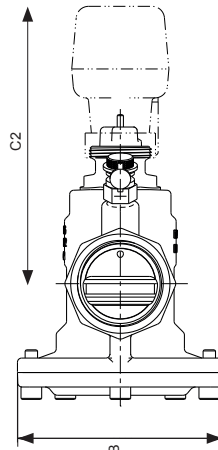
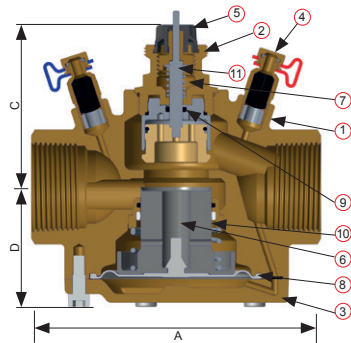
### SPECIFICATION

The PICV shall have a constant control characteristic at all flow settings and control flow rates at differential pressures up to 800kPa. Flow rates will be externally adjustable, and set point recordable. Integral test points will be fitted to verify setting pressure allowing pumps to be set at optimum speed to maximise energy savings. Shall be manufactured from DZR Brass, with Stainless Steel springs, and an EPDM diaphragm. Shall be rated to PN16 and operate at temperatures to 90°C. As Hattersley Fig 1934.

### SPARES:

Isolating cap part number 0ED13666H.

### DIMENSIONAL DRAWINGS



### FLOW RANGE

DN32	
STD Flow (l/s)	0.52 - 1.35
High Flow (l/s)	0.63 - 1.73

### DIMENSIONS & WEIGHTS

Nom Size	DN32
A (mm)	135
B (mm)	100
C (mm)	76
C2 (mm)	135
D (mm)	56
End connections	1 1/4" BSP Taper
Weight (kg)	2.3

### DIFFERENTIAL PRESSURE RANGE

DN32	
STD Flow (kPa)	65-800
High Flow (kPa)	70-800