

# Fig.1934

## DN15, DN20 & DN25

### Pressure Independent Control Valve

PN25

#### FEATURES & BENEFITS

- Comprehensive flow range available, allowing for cost effective valve selections. The PICV Elite Prime has up to 70% higher max flow compared to the previous model
- Accurate over a wide  $\Delta P$  range - available in both 400 and 800kPa variants
- Flow can be precisely measured with Fig. 1000 FMD to  $\pm 5\%$  accuracy
- Class IV leakage\*
- PN25 rated product, suitable for high pressure applications
- Design validation testing to BSRIA BTS01. As per Cyclic Testing requirements, valve subjected to 10,000 cycles (equivalent to 15 years\*\* of typical service)
- Comprehensive testing undertaken for each valve - pressure tested to BS EN 12266-1
- Integral test points for verification of  $\Delta P$  and valve performance
- Built in convoluted integral diaphragm
- Smaller and lighter design suits applications with a small footprint



#### MATERIAL SPECIFICATION

Item	Description	Material
1	Body	DZR Brass BS EN 12165 (CW602N)
2	Bonnet	DZR Brass BS EN 12165 (CW602N)
3	End Cap	DZR Brass BS EN 12165 (CW602N)
4	P84 Test Point	DZR Brass BS EN 12165 (CW602N)
5	Setting Dial	Nylon 6
6	DP Controller	Stainless Steel 303
7	Springs	Stainless Steel 302
8	Diaphragm	EPDM 302
9	O-Rings	EPDM
10	O-Ring Insert	DZR Brass BS EN 12165 (CW602N)
11	Stem	Stainless Steel 303

\*DN15 LF Class 3 \*\*based on two full stroke cycles per day

#### PRESSURE/TEMPERATURE RATING

25 Bar / 0°C to 90°C

**MEDIUM:** Group 2 Liquids

#### END CONNECTIONS

BSP Female Taper to BS EN 10226-2

**bimstore**

**FutureFlow**

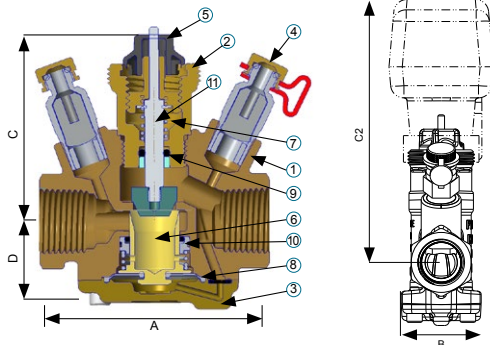
#### SPECIFICATION

The PICV shall have a constant control characteristic at all flow settings and control flow rates at differential pressures up to 800kPa. Flow rates will be externally adjustable, and set point recordable. Integral test points will be fitted to verify setting pressure allowing pumps to be set at optimum speed to maximise energy savings. Shall be manufactured from DZR Brass, with Stainless Steel springs, and an EPDM diaphragm. Shall be rated to PN25 and operate at temperatures to 90°C. As Hattersley Fig 1934.

#### SPARES:

Isolating cap part number 0ED13666H.

#### DIMENSIONAL DRAWINGS



#### FLOW RANGE

	DN15	DN20	DN25
Low Flow (l/s)	0.008 - 0.080	-	-
STD Flow (l/s)	0.060 - 0.200	0.070 - 0.320	0.24-0.60
High Flow (l/s)	0.085 - 0.340	0.075 - 0.420	0.32-0.80

#### DIMENSIONS & WEIGHTS

Nom Size	DN15	DN20	DN25
A (mm)	74	90	112
B (mm)	36	47	63
C1/C2 (mm)	63/120	75/130	75/130
D (mm)	27	30	51
End connections	1/2" BSP Female Taper to BS EN 10226-2	3/4" BSP Female Taper to BS EN 10226-2	1" BSP Female Taper to BS EN 10226-2
Weight (kg)	0.52	0.82	1.55

#### DIFFERENTIAL PRESSURE RANGE

	DN15	DN20	DN25
Low Flow (kPa)	20 - 400	-	-
	20 - 800	-	-
STD Flow (kPa)	25 - 400	27 - 400	40-400
	25 - 800	27 - 800	40-800
High Flow (kPa)	40 - 400	35 - 400	50-400
	40 - 800	35 - 800	50-800

Please request max  $\Delta P$  on order