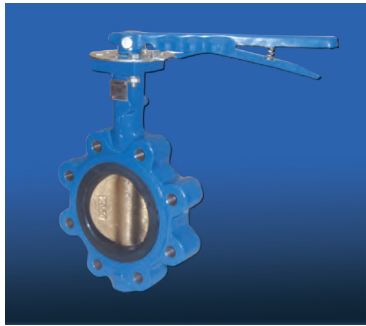


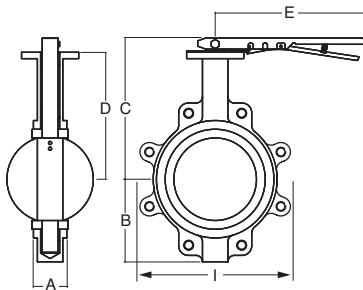
Fig. 980 ANSI
Ductile Iron Fully Lugged Butterfly Valve Class 150



MATERIAL SPECIFICATION

Component	Material	Specification	
		BS EN	ASTM
Body	Ductile Iron	BS EN 1563 EN-GJS-450-10	A536 65-45-12
Operating Shaft	Stainless Steel	BS EN 10088-1 1.4005	A582 UNS S41600
Disc	Al Bronze	BS EN 1982 CC331G	B148 UNS C95400
Taper pins	Stainless Steel	BS EN 10088-1 1.4401	A276 UNS S31600
Bushing	PTFE	-	-
O-Ring	Buna -N	-	-
Liner	EPDM	-	-
Lever	Carbon Steel	-	-
Handwheel	Cast Iron	-	-

DIMENSIONAL DRAWINGS

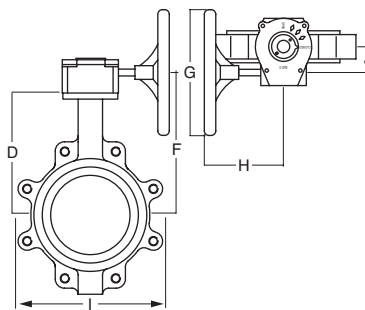


**PRESSURE/
TEMPERATURE RATING**

19.65 bar from -10 to 37.8°C
16.93 bar at 120°C

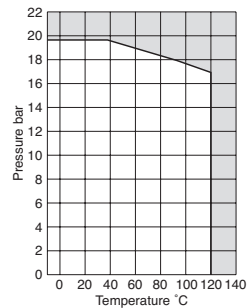
TEST PRESSURES

Shell: 29.5 bar
Seat: 21.6 bar



SPECIFICATION

Generally conforms to BS EN 593.
Ductile Iron body epoxy coated.
Fully lugged.
Aluminium bronze disc.
EPDM liner phenolic backed.
Trigger Lever.
Valves DN200 and larger supplied as standard with fully enclosed gear operator.
Suitable for fitting between flanges to ANSI B16.1 Class 125 and 150.
Valves may be used for flow regulation.



DIMENSIONS & WEIGHTS

Nom Size inch		2	2 1/2	3	4	5	6	8	10	12	14	16	18	20	24
A	mm	44.45	47.63	47.63	53.98	57.15	57.15	63.5	69.85	79.38	79.25	79.25	119.89	151.89	151.89
B	mm	83	95	102	124	136	150	197	210	248	279	305	381	381	457
C	mm	193.42	206.12	212.47	231.52	244.22	256.92	294.39	326.14	370.59	-	-	-	-	-
D	mm	161.93	174.63	180.98	200.03	212.73	225.43	260.35	292.1	336.55	368.3	400.05	422.28	479.43	561.98
E	mm	259.59	259.59	259.59	259.59	259.59	259.59	348.23	348.23	348.23	-	-	-	-	-
F	mm	150	150	150	150	300	300	300	300	300	300	450	450	450	450
G	mm	152.4	152.4	152.4	152.4	203.2	203.2	304.8	304.8	304.8	304.8	457.2	457.2	457.2	457.2
H	mm	159.51	159.51	159.51	159.51	150.37	150.37	241.81	241.81	227.08	225.81	232.16	277.11	321.06	384.05
I	mm	154.78	179.39	190.09	219.87	254	285.75	339.73	406.4	477.84	517.53	565.15	629.92	685.80	809.98
Weight	kg	15.5	16	18.7	24.1	25	26.4	36.7	47.1	62.1	84.9	123.8	139.7	215.5	337.3

Every effort has been made to ensure that the information contained in this publication is accurate at the time of publishing. Hattersley Ltd assumes no responsibility or liability for typographical errors or omissions or for any misinterpretation of the information within the publication and reserves the right to change without notice.