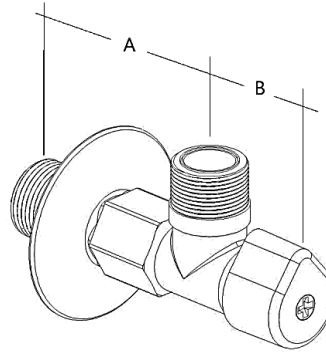


# Legend



## 15mm Plastic Angle Valve

15毫米膠曲尺掣

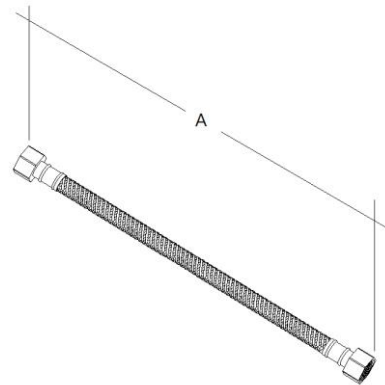
Model No.	Nom. Size (mm)	A (mm)	B (mm)
LV 501	15	65	36

### • Standards

- Product - BSEN 200
- Thread - 1/2" BSP

### • Material

- Body - Polyamide
- Screw - Grade 316 Stainless Steel



## 15mm Stainless Steel Flexible Hose with EPDM Internal Lining

15毫米接駁膠曲尺掣軟管

Model No.	Nom. Size (mm)	A (mm)
LF 212F	15	300
LF 214F	15	350

### • Standards

- Product - BSEN 13618:2016
- Thread - 1/2" BSP

### • Materials

- Grade 316 Stainless Steel Braid and Nuts
- EPDM Inner Hose

For more information, please contact Legend local distribution, Kembla (HK) Limited  
Address: 5/F, Henan Building, 90 Jaffe Road, Wan Chai, Hong Kong Tel.: 852-2528 0999 Email: info@kembla.com.hk