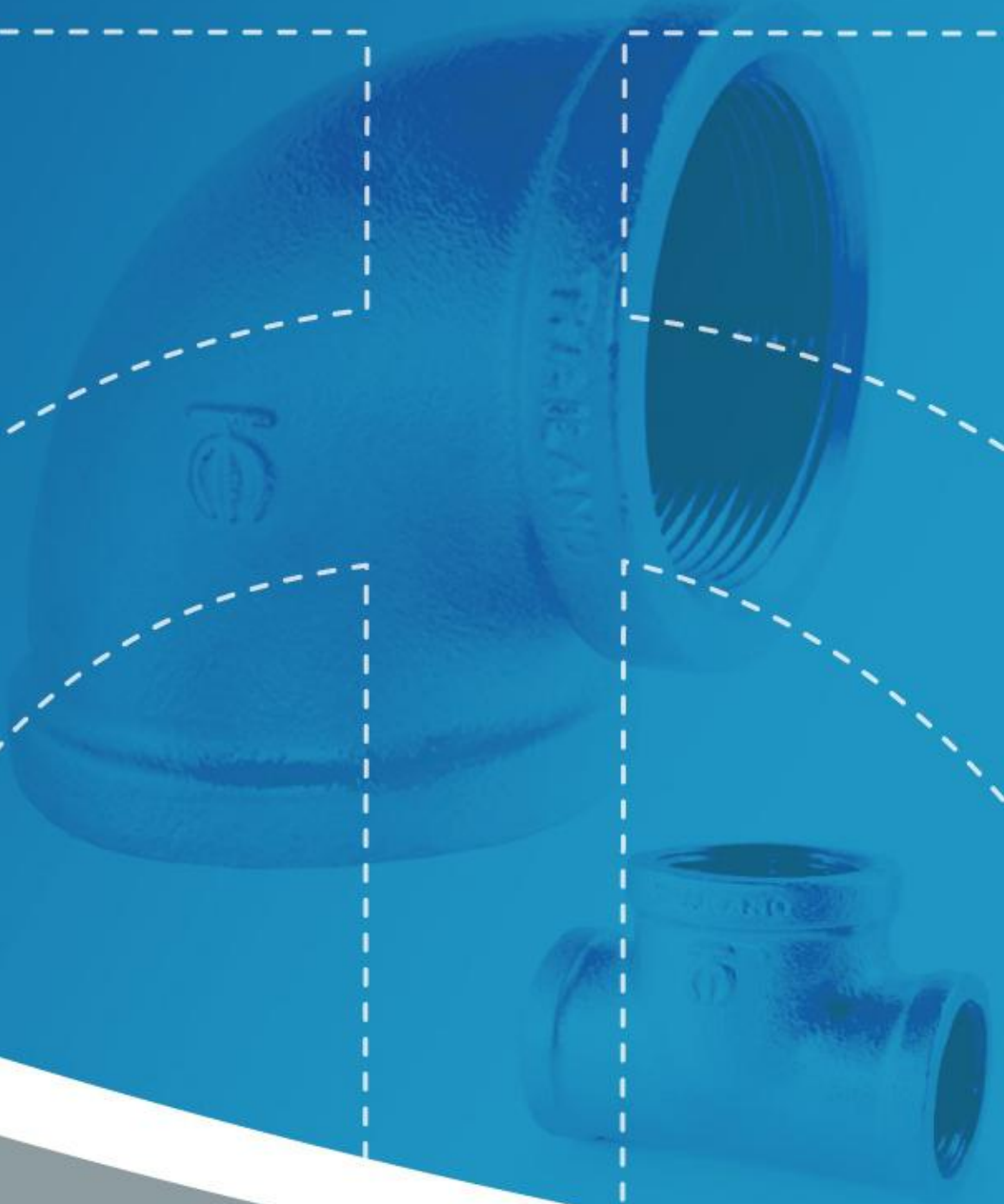




**THAI MALLEABLE IRON AND STEEL CO., LTD.**



**HIGH GRADE PIPE FITTINGS**  
*Proudly Serving the World*



## Certificates



ISO 9001:2008



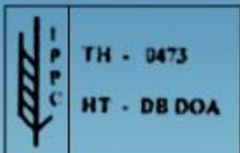
มอก.249-2540



MI 3VV7

UNION FITTING  
3 SP4QMS  
CM 028

062

TH - 0473  
HT - DB DOA

The Thai Malleable Iron and Steel Co., Ltd. was founded in Thailand in 1967 for the aim to fill the gap on the absence in the market place of locally produced pipe fittings. The company's objective was to produce high quality products at an economical price for Thai customers.

From year 1970 until now, the company not only service the needs of Thai customers but had also been exporting to the major countries of the world to satisfy the needs of international customers.

The company has now grown up to be a large and efficient organization inclusive of various companies involving in manufacturing and distributing variety of quality castings, i.e. black and galvanized malleable iron pipe fittings Classes 150 and 300, bronze pipe fittings and other castings to the OEM of customers' requirements.



## FLOW CHART OF QUALITY CONTROL PLAN

### INSPECTION



## Production Standards

TM fittings are produced in accordance with the following national or international standards depending on customers' requirements :

### American standards :

- **ASME B16.3**  
Malleable Iron Threaded Fittings  
Classes 150 and 300
- **ASME B16.39**  
Malleable Iron Threaded Pipe Unions  
Classes 150 and 300
- **ASME B16.14**  
Ferrous Pipe Plugs, Bushings and Locknuts  
with Pipe Threads
- **ANSI / ASME B1.20.1**  
PIPE THREADS, GENERAL PURPOSE (INCH)

### British standards :

- **BS 143 & 1256**  
Threaded pipe fittings in malleable cast iron and cast copper alloy
- **BS 21**  
Pipe threads for tubes and fittings where pressure-tight joints are made on the threads
- **BSEN 10242**  
Threaded pipe fittings in malleable cast iron

### ISO standards :

- **ISO 49**  
Malleable cast iron fittings threaded to ISO 7-1
- **ISO 7/1**  
Pipe threads where pressure - tight joints are made on the threads – Part 1 :  
Dimension, tolerances and designation

### European standards :

- **EN 10242**  
Threaded pipe fittings in malleable cast iron
- **ISO 7/1**  
Pipe threads where pressure - tight joints are made on the threads – Part 1 :  
Dimensions, tolerances and designation

### Japanese standards :

- **JIS B 2301**  
Screwed type malleable cast iron pipe fittings
- **JIS B 0203**  
Taper pipe threads

### Thai standards :

- **มอก. 249-2540**  
Standard for Malleable cast iron threaded pipe fittings

## ORDERING INFORMATION

The TM brand malleable iron pipe fittings are always ready for delivery to our customers. Please provide us the following information, when you order TM brand pipe fittings :

- Figure number, name and nominal size
- Type of thread
- Black or galvanize
- Quantity

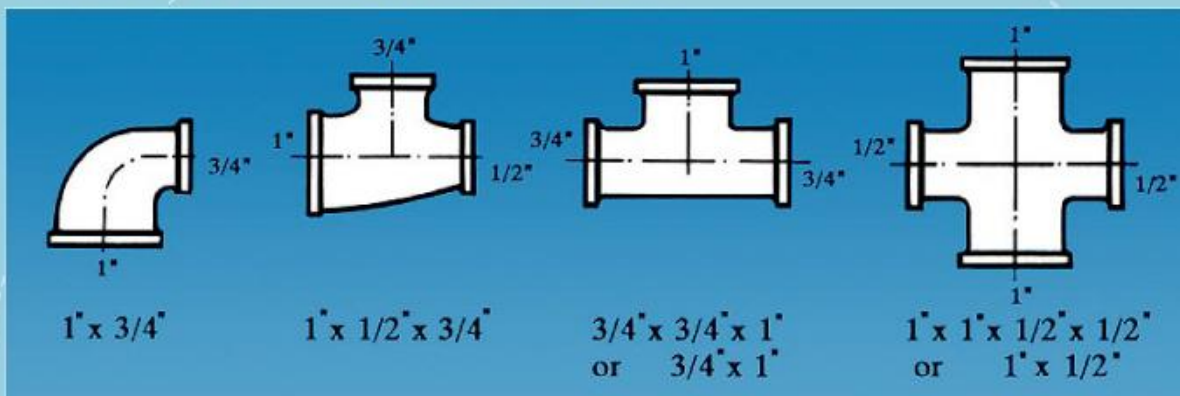


TM Malleable Iron Pipe Fittings

To avoid any confusion, the nominal size of different types of pipe fittings are designated as the following :

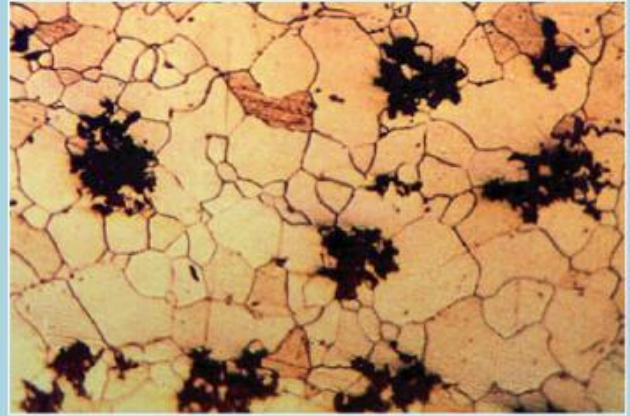
- Irrespective of the number of outlets, equal fittings (all outlets are of the same size) are referred to by that one size.
- For unequal fittings with two, three or four outlets :
  - \* 2 outlets : the larger diameter comes first, and the smaller second.
  - \* 3 outlets : the larger diameter of the two on the same line comes first, the smaller second and the remaining third.
  - \* 4 outlets : the largest diameter comes first followed by the one on the same line, then the larger one of the remaining two and the last one fourth.

Please refer to the following figures as examples :



## HIGH GRADE PIPE FITTINGS

- TM fittings are manufactured of black heart malleable iron which is melted and refined in electric induction furnaces, and annealed with extreme care.
- TM malleable iron has mechanical properties more superior than those specified by various international standards for pipe fittings (see the figures below).
- TM fittings are available either galvanize or black. Galvanized fittings have average coating thickness of 86 micrometer or average coating weight of 610 g/m<sup>2</sup> or higher
- TM fittings are suitable either to be used for steam, air, water, gas and oil pipes and for many other fluids.



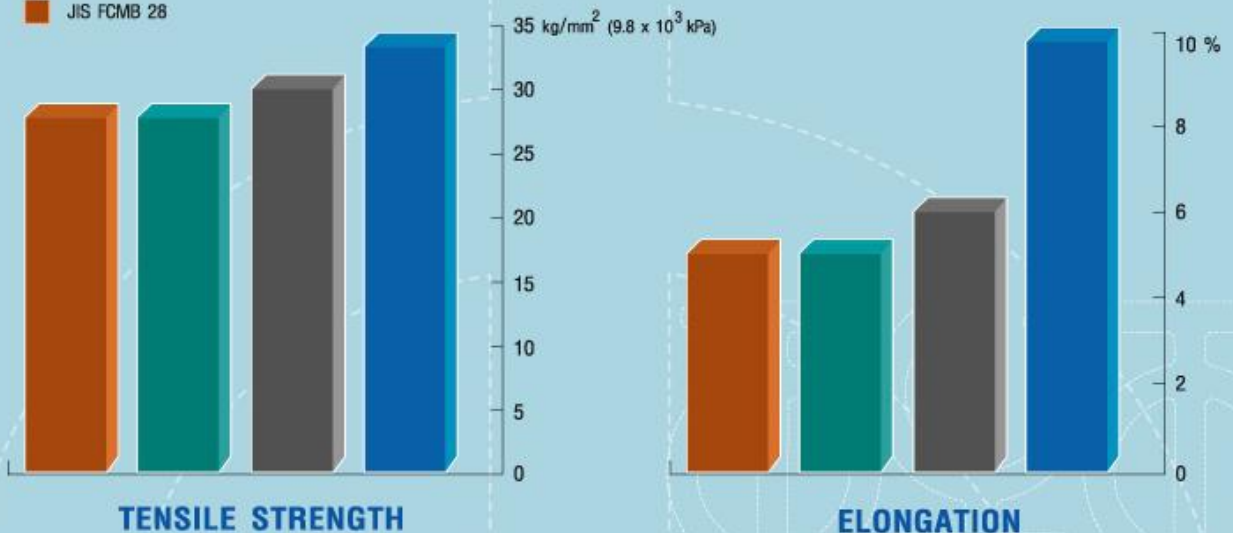
**Microstructure of TM Black Heart Malleable Cast Iron (x100)**

### Pressure / temperature ratings

Service temperature °C	Maximum permissible working pressure bar <sup>1)</sup>
-20 to 120	25
between 120 and 300	interpolated values
300	20

<sup>1)</sup> 1 bar = 10<sup>5</sup> N/m<sup>2</sup> = 100 kPa = 1.02 x 10<sup>-2</sup> kg/mm<sup>2</sup>

- TM
- BS B300-06
- ASTM A 197
- JIS FCMB 28



## BLACK / GALVANIZE MALLEABLE IRON PIPE FITTINGS CLASS 150



**FIG NO. 102**  
Elbows, Banded,  
Equal  
(1/8" - 8")



**FIG NO. 112**  
Elbows, Banded,  
Reducing  
(1/4" - 6")



**FIG NO. 122**  
Elbows, 45°,  
Banded  
(1/8" - 8")



**FIG NO. 132**  
Street Elbows,  
Banded, Equal  
(1/8" - 6")



**FIG NO. 142**  
Street Elbows,  
Banded, Reducing  
(1/2" - 2")



**FIG NO. 152**  
Street Elbows,  
45°, Banded  
(1/8" - 6")



**FIG NO. 161**  
Side Out Elbows,  
(1/4" - 2")



**FIG NO. 202**  
Tees, Banded,  
Equal  
(1/8" - 8")



**FIG NO. 212-A**  
Tees, Banded,  
Reducing on branch



**FIG NO. 212-B**  
Tees, Banded, Red,  
on run, equal on  
branch



**FIG NO. 212-C**  
Tees, Banded,  
Increasing on branch



**FIG NO. 212-D**  
Tees, Banded,  
Reducing on run  
and branch



**FIG NO. 222**  
Service Tees,  
Banded, Equal  
(3/8" - 2")



**FIG NO. 231**  
Side Outlet Tees  
(1/2" - 2")



**FIG NO. 242**  
45° Y-Branched,  
Banded, Equal  
(1/2" - 4")



**FIG NO. 302**  
Crosses, Banded,  
Equal  
(1/4" - 6")



**FIG NO. 312**  
Crosses, Banded,  
Reducing  
(1" - 6")



**FIG NO. 402**  
Sockets, Banded,  
with Ribs  
(1/8" - 6")



**FIG NO. 412**  
Sockets, Banded,  
Reducing with Ribs  
(1/4" - 8")



**FIG NO. 432**  
Sockets, Banded,  
M&F  
(1/2" - 2")



**FIG NO. 452**  
Sockets, Banded,  
Reducing Eccentric  
(3/4" - 2")



**FIG NO. 502**  
Caps, Banded,  
(1/8" - 8")



**FIG NO. 600**  
Unions Gasket Type  
Flat Seat  
(without gasket)  
(1/8" - 6")



**FIG NO. 620**  
Unions Taper Seat,  
Iron to Iron  
(1/8" - 6")



**FIG NO. 640**  
Unions Conical Joint,  
Brass to Iron Seat  
(1/8" - 6")





**FIG NO. 703**  
Short Bands,  
Banded  
(1/2" - 2")



**FIG NO. 713**  
Short Bands,  
M&F, Banded  
(1/2" - 2")



**FIG NO. 722**  
Long Sweep Bands  
Banded, 90°  
(3/8" - 4")



**FIG NO. 732**  
Long Sweep Bands  
Banded, 45°  
(1/2" - 3")



**FIG NO. 742**  
Long Sweep Bands  
Banded, 90°, M&F  
(1/8" - 6")



**FIG NO. 752**  
Long Sweep Bands  
Banded, 45°, M&F  
(1/2" - 4")



**FIG NO. 760**  
Long Sweep Bands,  
Male  
(1/2" - 2")



**FIG NO. 900**  
Round Flanges,  
without Bolt Hole  
(3/8" - 6")



**FIG NO. 901**  
Round Flanges,  
with Bolt Holes  
to Table D (BS10)  
(3/8" - 6")



**FIG NO. 902**  
Round Flanges,  
without Bolt Hole  
to PN 16 (BS 4504)  
(1/2" - 6")



**FIG NO. 903**  
Circular Flanges,  
with Bolt Holes  
to PN 16 (BS 4504)  
(1" - 6")



**FIG NO. 904**  
Circular Flanges,  
with Bolt Holes  
to PN 25 (BS 4504)  
(2" - 4")



**FIG NO. 906**  
Floor Flanges  
(1/4" - 4")



**FIG NO. 906A**  
Economical  
Floor Flanges  
(3/8" - 4")



**FIG NO. 907**  
Oval Flanges  
(1/2" - 2")



**FIG NO. 910**  
Locknuts  
(1/4" - 6")



**FIG NO. 920**  
Bushings  
(1/4" - 8")



**FIG NO. 921**  
Inside Head Bushings  
(1" - 6")



**FIG NO. 930**  
Plugs  
(1/8" - 8")



**FIG NO. 931**  
Solid Plugs  
(1/8" - 6")



**FIG NO. 933**  
Slotted Head Plugs  
(3" - 8")



**FIG MO. 940**  
Hexagon Nipples,  
Equal  
(1/4" - 6")



**FIG.NO. 941**  
Hexagon Nipples,  
Reducing  
(3/8" - 6")



**FIG NO. 943**  
Compression Couplings,  
Regular Type  
(1/2" - 2")



**FIG NO. 944**  
Compression Couplings,  
Long Type  
(1/2" - 2")





FIG NO. 112



FIG NO. 142



FIG NO. 312



FIG NO. 412

		Elbows, Banded Reducing	Street Elbows, Banded, Reducing	Crosses, Banded, Reducing	Sockets, Banded, Reducing, with Ribs
mm	inch				
8 x 6	1/4 x 1/8				●
10 x 6	3/8 x 1/8				●
10 x 8	3/8 x 1/4	●			●
15 x 6	1/2 x 1/8				●
15 x 8	1/2 x 1/4	●		Nominal Size	●
15 x 10	1/2 x 3/8	●			●
20 x 6	3/4 x 1/8				●
20 x 8	3/4 x 1/4	●			●
20 x 10	3/4 x 3/8	●			●
20 x 15	3/4 x 1/2	●	●		●
25 x 6	1 x 1/8				
25 x 8	1 x 1/4				●
25 x 10	1 x 3/8	●			●
25 x 15	1 x 1/2	●			●
25 x 20	1 x 3/4	●	●	●	●
32 x 8	1-1/4 x 1/4				
32 x 10	1-1/4 x 3/8				
32 x 15	1-1/4 x 1/2	●		●	●
32 x 20	1-1/4 x 3/4	●		●	●
32 x 25	1-1/4 x 1	●	●	●	●
40 x 8	1-1/2 x 1/4				
40 x 10	1-1/2 x 3/8				
40 x 15	1-1/2 x 1/2	●			●
40 x 20	1-1/2 x 3/4	●		●	●
40 x 25	1-1/2 x 1	●		●	●
40 x 32	1-1/2 x 1-1/4	●		●	●
50 x 8	2 x 1/4				
50 x 10	2 x 3/8				
50 x 15	2 x 1/2	●			●
50 x 20	2 x 3/4	●		●	●
50 x 25	2 x 1	●		●	●
50 x 32	2 x 1-1/4	●		●	●
50 x 40	2 x 1-1/2	●		●	●
65 x 15	2-1/2 x 1/2				●
65 x 20	2-1/2 x 3/4	●			●
65 x 25	2-1/2 x 1	●		●	●
65 x 32	2-1/2 x 1-1/4	●		●	●





FIG NO. 112



FIG NO. 142



FIG NO. 312



FIG NO. 412

Nominal Size		Elbows, Banded Reducing	Street Elbows, Banded, Reducing	Crosses, Banded, Reducing	Sockets, Banded, Reducing, with Ribs
mm	inch				
65 x 40	2-1/2 x 1-1/2	●		●	●
65 x 50	2-1/2 x 2	●		●	●
80 x 15	3 x 1/2				●
80 x 20	3 x 3/4	●			●
80 x 25	3 x 1			●	●
80 x 32	3 x 1-1/4	●		●	●
80 x 40	3 x 1-1/2	●		●	●
80 x 50	3 x 2	●		●	●
80 x 65	3 x 2-1/2	●		●	●
90 x 40	3-1/2 x 1-1/2				
90 x 50	3-1/2 x 2				
90 x 65	3-1/2 x 2-1/2				
90 x 80	3-1/2 x 3				
100 x 15	4 x 1/2				●
100 x 20	4 x 3/4				●
100 x 25	4 x 1			●	●
100 x 32	4 x 1-1/4			●	●
100 x 40	4 x 1-1/2			●	●
100 x 50	4 x 2	●		●	●
100 x 65	4 x 2-1/2	●		●	●
100 x 80	4 x 3	●		●	●
100 x 90	4 x 3-1/2				●
125 x 32	5 x 1-1/4				●
125 x 40	5 x 1-1/2				●
125 x 50	5 x 2				●
125 x 65	5 x 2-1/2				●
125 x 80	5 x 3				●
125 x 100	5 x 4				●
150 x 25	6 x 1				●
150 x 32	6 x 1-1/4				●
150 x 40	6 x 1-1/2				
150 x 50	6 x 2				●
150 x 65	6 x 2-1/2				●
150 x 80	6 x 3				●
150 x 100	6 x 4	●		●	●
150 x 125	6 x 5				●
200 x 150	8 x 6				●



FIG NO. 452



FIG NO. 641



FIG NO. 920



FIG NO. 941

Nominal Size		Sockets, Banded, Reducing, Eccentric	Unions, Conical Joint Brass to Iron Seat, Reducing	Bushings	Hexagon Nipples, Reducing
mm	Inch				
8 x 6	1/4 x 1/8			●	
10 x 6	3/8 x 1/8				
10 x 8	3/8 x 1/4			●	●
15 x 6	1/2 x 1/8			●	
15 x 8	1/2 x 1/4			●	●
15 x 10	1/2 x 3/8			●	●
20 x 6	3/4 x 1/8			●	
20 x 8	3/4 x 1/4			●	●
20 x 10	3/4 x 3/8			●	●
20 x 15	3/4 x 1/2	●	●	●	●
25 x 6	1 x 1/8			●	
25 x 8	1 x 1/4			●	
25 x 10	1 x 3/8			●	●
25 x 15	1 x 1/2	●		●	●
25 x 20	1 x 3/4	●		●	●
32 x 8	1-1/4 x 1/4			●	
32 x 10	1-1/4 x 3/8			●	
32 x 15	1-1/4 x 1/2	●		●	●
32 x 20	1-1/4 x 3/4			●	●
32 x 25	1-1/4 x 1	●		●	●
40 x 8	1-1/2 x 1/4			●	
40 x 10	1-1/2 x 3/8			●	
40 x 15	1-1/2 x 1/2			●	●
40 x 20	1-1/2 x 3/4			●	●
40 x 25	1-1/2 x 1	●		●	●
40 x 32	1-1/2 x 1-1/4	●		●	●
50 x 8	2 x 1/4			●	
50 x 10	2 x 3/8			●	
50 x 15	2 x 1/2			●	●
50 x 20	2 x 3/4			●	●
50 x 25	2 x 1	●		●	●
50 x 32	2 x 1-1/4	●		●	●
50 x 40	2 x 1-1/2	●		●	●
65 x 15	2-1/2 x 1/2			●	
65 x 20	2-1/2 x 3/4			●	
65 x 25	2-1/2 x 1			●	●
65 x 32	2-1/2 x 1-1/4			●	



FIG NO. 452



FIG NO. 641



FIG NO. 920



FIG NO. 941

Nominal Size		Sockets, Banded, Reducing, Eccentric	Unions, Conical Joint Brass to Iron Seat, Reducing	Bushings	Hexagon Nipples, Reducing
mm	inch				
65 x 40	2-1/2 x 1-1/2			●	●
65 x 50	2-1/2 x 2			●	●
80 x 15	3 x 1/2			●	
80 x 20	3 x 3/4			●	
80 x 25	3 x 1			●	
80 x 32	3 x 1-1/4			●	
80 x 40	3 x 1-1/2			●	
80 x 50	3 x 2			●	●
80 x 65	3 x 2-1/2			●	●
90 x 40	3-1/2 x 1-1/2			●	
90 x 50	3-1/2 x 2			●	
90 x 65	3-1/2 x 2-1/2			●	
90 x 80	3-1/2 x 3			●	
100 x 15	4 x 1/2				
100 x 20	4 x 3/4			●	
100 x 25	4 x 1			●	
100 x 32	4 x 1-1/4			●	
100 x 40	4 x 1-1/2			●	
100 x 50	4 x 2			●	●
100 x 65	4 x 2-1/2			●	●
100 x 80	4 x 3			●	●
100 x 90	4 x 3-1/2			●	
125 x 32	5 x 1-1/4				
125 x 40	5 x 1-1/2				
125 x 50	5 x 2			●	
125 x 65	5 x 2-1/2			●	
125 x 80	5 x 3			●	
125 x 100	5 x 4			●	
150 x 25	6 x 1				
150 x 32	6 x 1-1/4				
150 x 40	6 x 1-1/2			●	
150 x 50	6 x 2			●	
150 x 65	6 x 2-1/2			●	
150 x 80	6 x 3			●	
150 x 100	6 x 4			●	
150 x 125	6 x 5			●	
200 x 150	8 x 6			●	

## FIG NO. 212 Tees, Banded, Reducing



### FIG NO. 212A Tees, Banded, Reducing on branch

Nominal Size	
mm	inch
10 x 8	3/8 x 1/4
15 x 8	1/2 x 1/4
15 x 10	1/2 x 3/8
20 x 8	3/4 x 1/4
20 x 10	3/4 x 3/8
20 x 15	3/4 x 1/2
25 x 8	1 x 1/4
25 x 10	1 x 3/8
25 x 15	1 x 1/2
25 x 20	1 x 3/4
32 x 10	1-1/4 x 3/8
32 x 15	1-1/4 x 1/2
32 x 20	1-1/4 x 3/4
32 x 25	1-1/4 x 1
40 x 10	1-1/2 x 3/8
40 x 15	1-1/2 x 1/2
40 x 20	1-1/2 x 3/4
40 x 25	1-1/2 x 1
40 x 32	1-1/2 x 1-1/4
50 x 10	2 x 3/8
50 x 15	2 x 1/2
50 x 20	2 x 3/4
50 x 25	2 x 1
50 x 32	2 x 1-1/4
50 x 40	2 x 1-1/2
65 x 15	2-1/2 x 1/2
65 x 20	2-1/2 x 3/4
65 x 25	2-1/2 x 1
65 x 32	2-1/2 x 1-1/4
65 x 40	2-1/2 x 1-1/2
65 x 50	2-1/2 x 2
80 x 15	3 x 1/2
80 x 20	3 x 3/4
80 x 25	3 x 1
80 x 32	3 x 1-1/4
80 x 40	3 x 1-1/2
80 x 50	3 x 2
80 x 65	3 x 2-1/2
100 x 15	4 x 1/2
100 x 20	4 x 3/4
100 x 25	4 x 1
100 x 32	4 x 1-1/4
100 x 40	4 x 1-1/2
100 x 50	4 x 2
100 x 65	4 x 2-1/2
100 x 80	4 x 3
125 x 50	5 x 2
125 x 65	5 x 2-1/2
125 x 80	5 x 3
125 x 100	5 x 4
150 x 32	6 x 1-1/4
150 x 40	6 x 1-1/2
150 x 50	6 x 2
150 x 65	6 x 2-1/2
150 x 80	6 x 3
150 x 100	6 x 4
150 x 125	6 x 5



**B** FIG NO. 212B Tees, Banded,  
Red on run, equal on branch

Nominal Size	
mm	Inch
20 x 15 x 20	3/4 x 1/2 x 3/4
25 x 15 x 25	1 x 1/2 x 1
25 x 20 x 25	1 x 3/4 x 1
32 x 15 x 32	1-1/4 x 1/2 x 1-1/4
32 x 20 x 32	1-1/4 x 3/4 x 1-1/4
32 x 25 x 32	1-1/4 x 1 x 1-1/4
40 x 15 x 40	1-1/2 x 1/2 x 1-1/2
40 x 20 x 40	1-1/2 x 3/4 x 1-1/2
40 x 25 x 40	1-1/2 x 1 x 1-1/2
40 x 32 x 40	1-1/2 x 1-1/4 x 1-1/2
50 x 15 x 50	2 x 1/2 x 2
50 x 20 x 50	2 x 3/4 x 2
50 x 25 x 50	2 x 1 x 2
50 x 32 x 50	2 x 1-1/4 x 2
50 x 40 x 50	2 x 1-1/2 x 2
65 x 40 x 65	2-1/2 x 1-1/2 x 2-1/2
65 x 50 x 65	2-1/2 x 2 x 2-1/2
80 x 50 x 80	3 x 2 x 3



**C** FIG NO. 212C Tees, Banded,  
Increasing on branch

Nominal Size	
mm	Inch
15 x 15 x 20	1/2 x 1/2 x 3/4
15 x 15 x 25	1/2 x 1/2 x 1
20 x 15 x 25	3/4 x 1/2 x 1
20 x 20 x 25	3/4 x 3/4 x 1
20 x 20 x 32	3/4 x 3/4 x 1-1/4
25 x 25 x 32	1 x 1 x 1-1/4
25 x 25 x 40	1 x 1 x 1-1/2
25 x 25 x 50	1 x 1 x 2
25 x 40 x 50	1 x 1-1/2 x 2
32 x 25 x 40	1-1/4 x 1 x 1-1/2
32 x 32 x 40	1-1/4 x 1-1/4 x 1-1/2
32 x 32 x 50	1-1/4 x 1-1/4 x 2
32 x 32 x 65	1-1/4 x 1-1/4 x 2-1/2
32 x 50 x 65	1-1/4 x 2 x 2-1/2
40 x 40 x 50	1-1/2 x 1-1/2 x 2
50 x 50 x 65	2 x 2 x 2-1/2
50 x 50 x 80	2 x 2 x 3
65 x 65 x 80	2-1/2 x 2-1/2 x 3
80 x 80 x 100	3 x 3 x 4
100 x 100 x 150	4 x 4 x 6



**D** FIG NO. 212D Tees, Banded,  
Reducing on run and branch

Nominal Size	
mm	Inch
20 x 15 x 15	3/4 x 1/2 x 1/2
25 x 15 x 15	1 x 1/2 x 1/2
25 x 15 x 20	1 x 1/2 x 3/4
25 x 20 x 15	1 x 3/4 x 1/2
25 x 20 x 20	1 x 3/4 x 3/4
32 x 15 x 15	1-1/4 x 1/2 x 1/2
32 x 15 x 20	1-1/4 x 1/2 x 3/4
32 x 15 x 25	1-1/4 x 1/2 x 1
32 x 20 x 15	1-1/4 x 3/4 x 1/2
32 x 20 x 20	1-1/4 x 3/4 x 3/4
32 x 20 x 25	1-1/4 x 3/4 x 1
32 x 25 x 15	1-1/4 x 1 x 1/2
32 x 25 x 20	1-1/4 x 1 x 3/4
32 x 25 x 25	1-1/4 x 1 x 1
40 x 15 x 32	1-1/2 x 1/2 x 1-1/4
40 x 20 x 15	1-1/2 x 3/4 x 1/2
40 x 20 x 20	1-1/2 x 3/4 x 3/4
40 x 20 x 32	1-1/2 x 3/4 x 1-1/4
40 x 25 x 15	1-1/2 x 1 x 1/2
40 x 25 x 20	1-1/2 x 1 x 3/4
40 x 25 x 25	1-1/2 x 1 x 1
40 x 25 x 32	1-1/2 x 1 x 1-1/4
40 x 32 x 15	1-1/2 x 1-1/4 x 1/2
40 x 32 x 20	1-1/2 x 1-1/4 x 3/4
40 x 32 x 25	1-1/2 x 1-1/4 x 1
40 x 32 x 32	1-1/2 x 1-1/4 x 1-1/4
50 x 20 x 20	2 x 3/4 x 3/4
50 x 25 x 25	2 x 1 x 1
50 x 25 x 32	2 x 1 x 1-1/4
50 x 32 x 25	2 x 1-1/4 x 1
50 x 32 x 32	2 x 1-1/4 x 1-1/4
50 x 32 x 40	2 x 1-1/4 x 1-1/2
50 x 32 x 50	2 x 1-1/4 x 2
50 x 40 x 15	2 x 1-1/2 x 1/2
50 x 40 x 20	2 x 1-1/2 x 3/4
50 x 40 x 25	2 x 1-1/2 x 1
50 x 40 x 32	2 x 1-1/2 x 1-1/4
50 x 40 x 40	2 x 1-1/2 x 1-1/2
65 x 40 x 40	2-1/2 x 1-1/2 x 1-1/2
65 x 40 x 50	2-1/2 x 1-1/2 x 2
65 x 50 x 32	2-1/2 x 2 x 1-1/4
65 x 50 x 50	2-1/2 x 2 x 2

## Class 300

**BLACK / GALVANIZE**  
**MALLEABLE IRON PIPE FITTINGS CLASS 300**


**FIG NO. 102XH**  
 Elbows, Banded,  
 Equal  
 (1/4" - 4")



**FIG NO. 122XH**  
 Elbows, Banded,  
 45°  
 (1/4" - 4")



**FIG NO. 132XH**  
 Street Elbows,  
 Banded, Equal  
 (1/4" - 4")



**FIG NO. 202XH**  
 Tees, Banded,  
 Equal  
 (1/4" - 4")



**FIG NO. 212XH**  
 Tees, Banded,  
 Reducing  
 (3/4" - 3")



**FIG NO. 402XH**  
 Sockets, Banded,  
 with Ribs  
 (1/4" - 4")



**FIG NO. 412XH**  
 Sockets, Banded,  
 Reducing, with Ribs  
 (1/2" - 4")



**FIG NO. 502XH**  
 Caps, Banded  
 (3/8" - 4")



**FIG NO. 640XH**  
 Unions, Conical Joint,  
 Brass to Iron Seat  
 (1/4" - 4")





## THAI MALLEABLE IRON AND STEEL CO., LTD.



## HIGH GRADE PIPE FITTINGS



**K** **KEMBLA (HK) LIMITED**  
金特霸(香港)有限公司

Member of Metal Manufactures Group

### Hong Kong and Macau Distributor :

5/F Henan Building, 90 Jaffe Road, Wanchai, Hong Kong

金特霸(香港)有限公司

香港灣仔謝菲道90號豫港大廈5樓

Tel: +852 2528 0999 Fax: +852 2528 3113

Email: [info@kembla.com.hk](mailto:info@kembla.com.hk)

Website: [www.kembla.com.hk](http://www.kembla.com.hk)



THAI MALLEABLE IRON AND STEEL CO., LTD.

### Head Office :

1139/6-7 Rama 3 Road, Chongnonsee, Yannawa, Bangkok 10120, Thailand

Tel : (662)285-3086-7, 285-3089-90 Fax : (662)285-3084

Email : [tmisco@thaimalleable.co.th](mailto:tmisco@thaimalleable.co.th), [tmexp@thaimalleable.co.th](mailto:tmexp@thaimalleable.co.th) (Sale)

### Factory :

27/4 Moo 5 Paholyothin Road, Klong No.1, Klong-Luang, Patumtani 12120, Thailand

Tel : (662)516-1800-4 Fax : (662)516-8397 Email : [tmfac@thaimalleable.co.th](mailto:tmfac@thaimalleable.co.th)

[www.thaimalleable.com](http://www.thaimalleable.com)