

Legend



GULLY



LG 496

Legend LG 496 / LG 496 WR

Legend



LG 496SQ



LG 496SQ89



LG 496S



LG 496SQ-SD



LG 496SQ89-SD



LG 496S-SD



LG 496BQ



LG 496BQF



LG 496B



LG 496BQ-SD

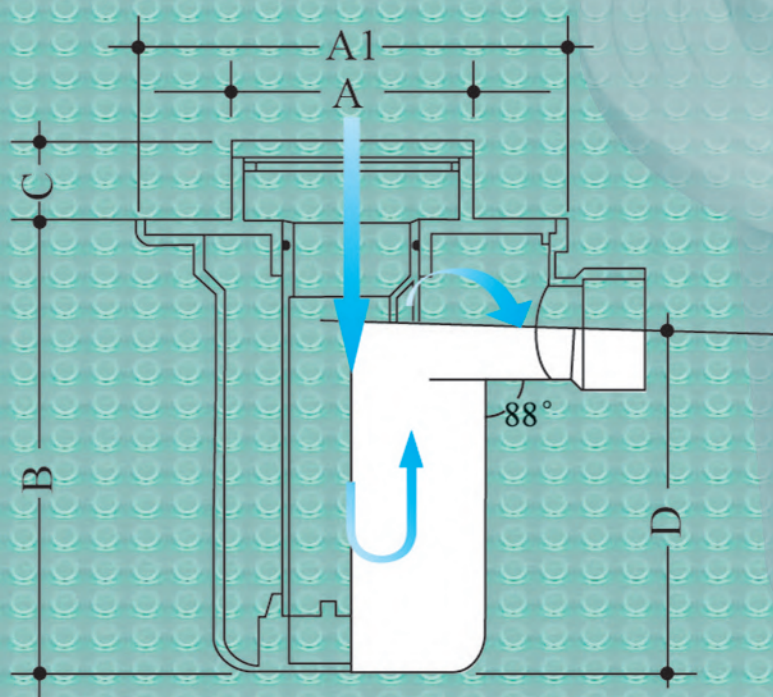


LG 496BQF-SD



LG 496B-SD

Legend



Top Access 80mm Seal Resealing Gully
頂掀式80毫米水封防虹吸去水斗

Model No.	Nom Size (mm)	Grating Size Ø(mm)	Chrome plated brass frame & grating	Stainless steel frame & grating	Drain slot	A (mm)	A1 Ø(mm)	B (mm)	C# (mm)	D (mm)
LG496SQ	50	80		*		96 x 96	144	152	19-88	113
LG496SQ-SD	50	80		*	*	96 x 96	144	152	19-88	113
LG496SQ89	50	80		*		89 x 89	144	152	19-88	113
LG496SQ89-SD	50	80		*	*	89 x 89	144	152	19-88	113
LG496S	50	80		*		Ø90	144	152	19-88	113
LG496S-SD	50	80		*	*	Ø90	144	152	19-88	113
LG496BQ	50	81	*			88 x 88	144	152	19-88	113
LG496BQ-SD	50	81	*		*	88 x 88	144	152	19-88	113
LG496BQF	50	81	*			88 x 88	144	152	19-88	113
LG496BQF-SD	50	81	*		*	88 x 88	144	152	19-88	113
LG496B	50	81	*			Ø87	144	152	19-88	113
LG496B-SD	50	81	*		*	Ø87	144	152	19-88	113

The height "C" can be further increased by fitting additional clamping unit(s) of height 30mm or 65mm
可裝置額外高 30 毫米或 65 毫米之加高件以增加高度 "C"

Legend



LG 496SQ-WR



LG 496SQ89-WR



LG 496S-WR



LG 496SQ-SD-WR



LG 496SQ89-SD-WR



LG 496S-SD-WR



LG 496BQ-WR



LG 496BQF-WR



LG 496B-WR



LG 496BQ-SD-WR

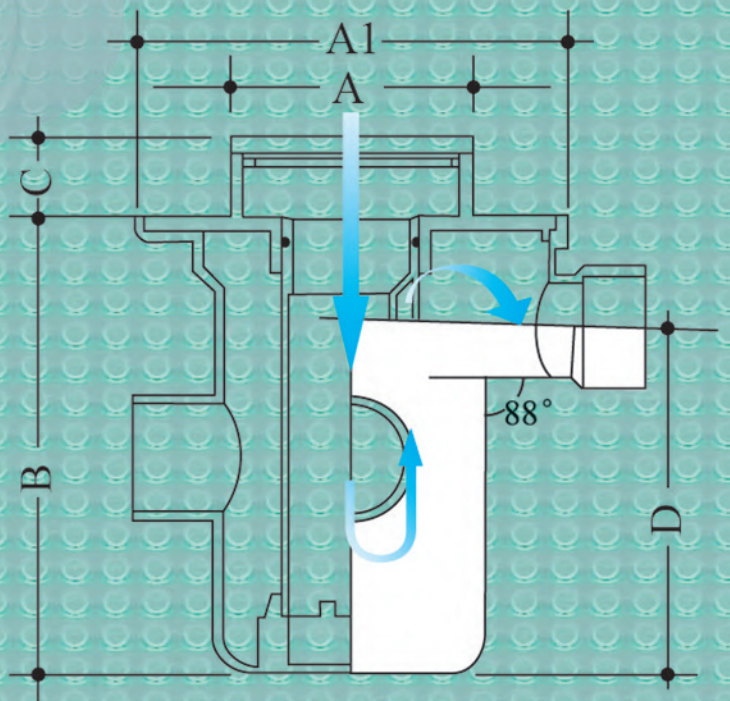


LG 496BQF-SD-WR



LG 496B-SD-WR

Legend



Top Access 80mm Seal Resealing Gully with Water Seal Replenishment Inlet 頂掀式80毫米水封防虹吸去水斗(設水封補給管口)

Model No.	Nom. Size (mm)	Grating Size Ø(mm)	Chrome plated brass frame & grating	Stainless steel frame & grating	Drain slot	A (mm)	A1 Ø(mm)	B (mm)	C# (mm)	D (mm)
LG496SQ-WR	50	80		*		96 x 96	144	152	19-88	113
LG496SQ-SD-WR	50	80		*	*	96 x 96	144	152	19-88	113
LG496SQ89-WR	50	80		*		89 x 89	144	152	19-88	113
LG496SQ89-SD-WR	50	80		*	*	89 x 89	144	152	19-88	113
LG496S-WR	50	80		*		Ø90	144	152	19-88	113
LG496S-SD-WR	50	80		*	*	Ø90	144	152	19-88	113
LG496BQ-WR	50	81	*			88 x 88	144	152	19-88	113
LG496BQ-SD-WR	50	81	*		*	88 x 88	144	152	19-88	113
LG496BQF-WR	50	81	*			88 x 88	144	152	19-88	113
LG496BQF-SD-WR	50	81	*		*	88 x 88	144	152	19-88	113
LG496B-WR	50	81	*			Ø87	144	152	19-88	113
LG496B-SD-WR	50	81	*		*	Ø87	144	152	19-88	113

The height "C" can be further increased by fitting additional clamping unit(s) of height 30mm or 65mm

可裝置額外高 30 毫米或 65 毫米之加高件以增加高度 "C"

^ 2 plugs are provided to determine the direction of water seal replenishment inlet

^ 水封補給管口方向可透過已配置的兩個塞來決定



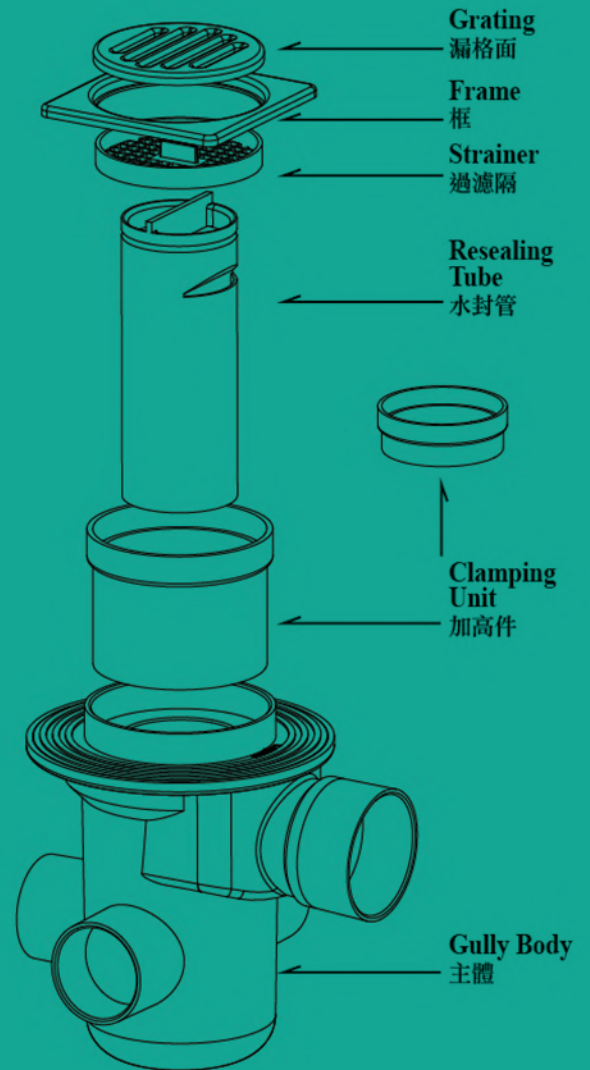
Installation Guide 安裝指引

Top Access 80mm Seal Resealing Gully (with Water Seal Replenishment Inlet)

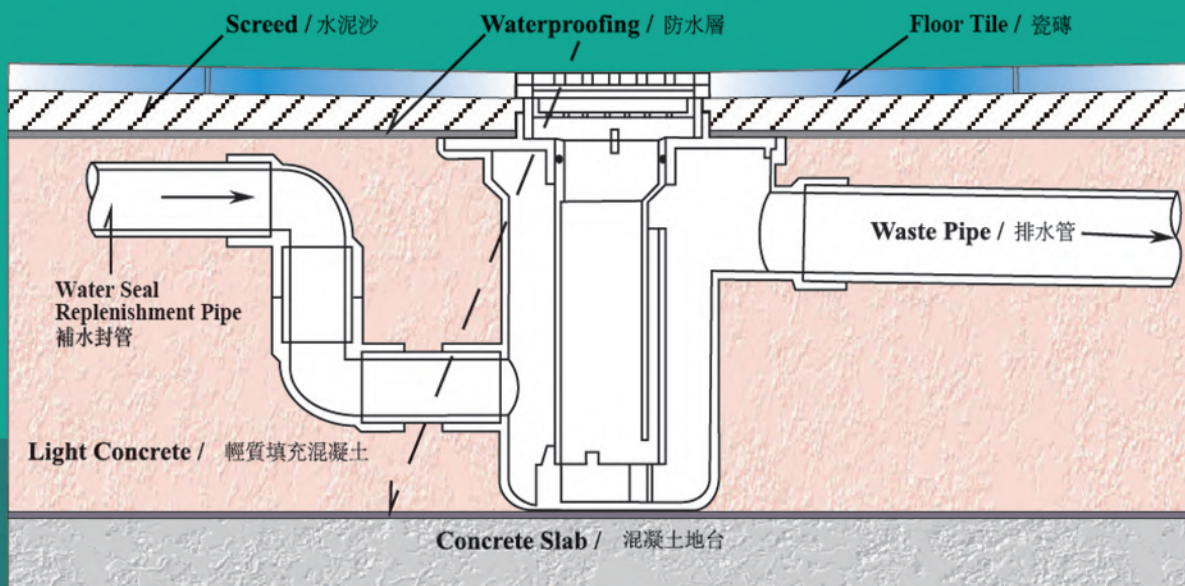
頂掀式80毫米水封防虹吸去水斗(設補水封管口)

1. Situate and secure the gully body on top of the basic waterproofing surface of concrete slab.
2. Solvent weld the waste pipe (and water seal replenishment pipe) to the gully body and pour light concrete into the concrete slab.
3. Fix the additional waterproofing and it shall flush with the gully's flange.
4. Adjust the hopper's height by fitting the clamping unit(s) to a predetermined level and on which install the metal frame in predetermined direction.
5. Construct the screed with an appropriate thickness.
6. Properly lay the floor tiles.
7. Install the resealing tube, the strainer and the grating one by one into the hopper body.

1. 在完成防水層的混凝土台面上按適當高度安裝去水斗主體。
2. 接駁排水管(及補水封管)，灌澆輕質填充混凝土。
3. 完成第二防水層，防水層必須與去水斗主體防水凹線完全吻合。
4. 根據地台瓷磚面高度數值接駁適當高度的去水斗加高件，並按所需方向角度安裝金屬框。
5. 完成水泥沙地台面。
6. 鋪設地台面瓷磚或雲石等物料。
7. 按步驟把內件包括水封管、過濾隔及漏格面裝上。



Legend





Legend

GULLY

Consolidating the extensive experiences in research and development of drainage products over the years, **Legend** have designed a variety of innovative top-access gullies, which are highly recommended and widely used by the renowned developers, professional consulting engineers and plumbing contractors. As a local market leader, **Legend** developed the latest series of top-access gully – **LG 496** which enhances the product specifications so as to increase the flexibility and ultimate efficiency for the on-site installations. The major advantages are summarized as follows:-

1. Ensure the water seal of our gullies to be genuine 80mm in depth;
2. Allow the plumbers to freely adjust the height of clamping units and suit the site situations without altering the length of the resealing tube. The clamping units of height 35mm and 60mm each have been included in the packing as the standard accessories. Additional clamping units will be available upon request;
3. The enlarged clearance at the top-access inlets enables the cleaning of the inner part of gully's body easier;
4. A variety of optional grating patterns and materials can be installed via the universal mounting frames;
5. For the water replenishment system of the floor drain, **LG 496-WR** gully has three water inlets perpendicular to each other around the bottom part of the gully's body. As a result, it promotes flexibility and thus minimizes wastage of materials.

Legend 結集多年研究排水系統之經驗，設計及生產出多種具備創意及實用的去水斗產品，並已成為各大發展商、專業顧問及水喉工程商廣泛認受之品牌，於業界已取得了領導地位。為配合更高要求之產品規格及進一步提高施工效率，故特此開發了最新的 **LG 496** 去水斗系列，其優點包括:-

1. 去水斗確保設有80毫米的水封深度。
2. 透過新設計的水封管及加高件，可靈活調節去水面與去水斗主體之間的高度，以配合工地施工過程中難以預計之誤差。而每一個去水斗均附有65毫米及30毫米高之加高件各一，客戶可額外採用更多的加高件，以配合工地所需之高度。
3. 可掀式去水組件及相對寬闊的加高件可更方便清理。
4. 可配合多元化設計的去水冷面，無論是銅或不銹鋼製件，只需把特別式樣要求之去水冷面安裝在去水斗加高件上便可，既靈活而又能提高效率。
5. 聚水器水封補給系統用之去水斗 (**LG 496-WR**) 特設三個不同方向之補水口，施工人員可按工地的設計，自由選擇補水的位置進行接駁管道，節省用料及可避免施工時產生的問題。

Standards
標準認證:

BS 5255

BS EN 1329

BS 3943

BS EN 274

Job Reference

"Legend" - LG 496 / LG 496-WR SERIES

Water Seal Replenishment Top Access Gullies

PROJECT NAME	B.S. CONTRACTOR	CONSULTANT / DEVELOPER
1 TONG YAN SAN TSUEN, LOT 2139, YUEN LONG	KIN WIN ENGINEERING	J. ROGER PRESTON / NEW WORLD DEVELOPMENT
2 No.23 BABINGTON ROAD, MID-LEVELS WEST	KIN WIN ENGINEERING	CONSOLIDATED CONSULTING ENGINEERS / SUN HUNG KAI PROPERTIES
3 INVERNESS ROAD, KOWLOON TONG	YUEN CHEONG ENGINEERING	PARSONS BRINCKERHOFF / CHINA CHEM
4 NO.204 ARGYLE STREET	YUEN CHEONG ENGINEERING	MEINHARDT (M&E) / CHEUNG KONG
5 NO.179-180 CONNAUGHT ROAD WEST	WONG KWONG KEE ENGINEERING	FAR EAST CONSULTING ENGINEERS / EMPEROR
6 NO.23 TONG CHONG STREET	ATAL BUILDING SERVICES ENGINEERING	MOTT MACDONALD / SWIRE
7 DOUBLE COVE STARVIEW, MA ON SHAN	MAJESTIC PLUMBING ENGINEERS	J. ROGER PRESTON / HENDERSON, NEW WORLD DEVELOPMENT & PETERSON
8 THE MET SUBLIME, SHEUNG WAN	VICTOR PLUMBING	P & T / WANG ON GROUP
9 NO.44-50 CHUNG HOM KOK	ATAL BUILDING SERVICES ENGINEERING	J. ROGER PRESTON / SHUN TAK
10 PROPOSED COMPOSITE DEVELOPMENT AT 1-21 DUNDAS STREET, MONGKOK	MAJESTIC PLUMBING ENGINEERS	MOTT MACDONALD / HOILDAY INN HOTEL
11 THE WOODSVILLE, YUEN LONG	MAJESTIC PLUMBING ENGINEERS	MEINHARDT (M&E) / NEW WORLD DEVELOPMENT
12 CADOGAN, KENNEDY TOWN	MAJESTIC ENGINEERING	KOWLOON DEVELOPMENT
13 PARK SIGNATURE, YUEN LONG	MAJESTIC PLUMBING ENGINEERS	MEINHARDT (M&E) / NEW WORLD DEVELOPMENT



Legend

For more precise information, please contact local Legend distribution

Kembla (HK) Limited

香港灣仔謝斐道 90 號豫港大廈 5 樓

5/F, Henan Building, 90 Jaffe Road, Wan Chai, Hong Kong

Tel : 852-2528 0999 Fax : 852-2528 3113

Email : info@kembla.com.hk Website : www.kembla.com.hk

油麻地門市部：九龍油麻地上海街 413 號地下（油麻地地鐵站 A1 出口）

Tel : 852-3428 2521 Fax : 852-3428 2575 Email : shop@kembla.com.hk

貨倉：新界粉嶺流水響道布格仔村地段 D.D.85 Lot Nos. 567-D

Tel : 852-2674 7880 / 2674 7881 Fax : 852-2674 7990

The right to introduce modifications is reserved

© Legend Plastic Limited, Hong Kong. Without the approval of Legend Plastic Limited, not to be reproduced wholly or in part.

2014.08