

## Basket Strainer (W-LG45-16Q(S4))

### ◆ Application:

The Watts W-LG45-16Q(S4) Basket Strainer is designed to filtrate impurities in the piping system. Maintenance is fast by easy remove the retainer cap of the basket strainer. This strainer may only be install in a horizontal position.

### ◆ Features:

1. Ductile iron body coated with epoxy
2. Stainless steel 316 screen
3. Flanged connections under BS EN 1092-2
4. Blowdown plug
5. Horizontal installation only



### ◆ Technical Specification:

|                      |               |
|----------------------|---------------|
| Nominal Size:        | DN50 ~ DN600  |
| Working Pressure:    | PN16          |
| Working Temperature: | 0°C ~ 80 °C   |
| Fluid Medium:        | Water         |
| Test Standard:       | BS EN 12266-1 |

### ◆ Material:

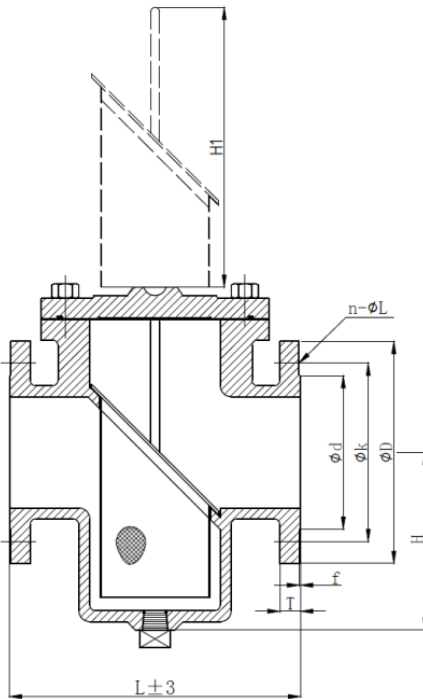
| Part            | Body                           | Retainer Cap                   | Screen              | O-ring | Blowdown Plug |
|-----------------|--------------------------------|--------------------------------|---------------------|--------|---------------|
| <b>Material</b> | Ductile Iron coated with Epoxy | Ductile Iron coated with Epoxy | Stainless Steel 316 | EPDM   | DZR           |

### ◆ Typical Application:

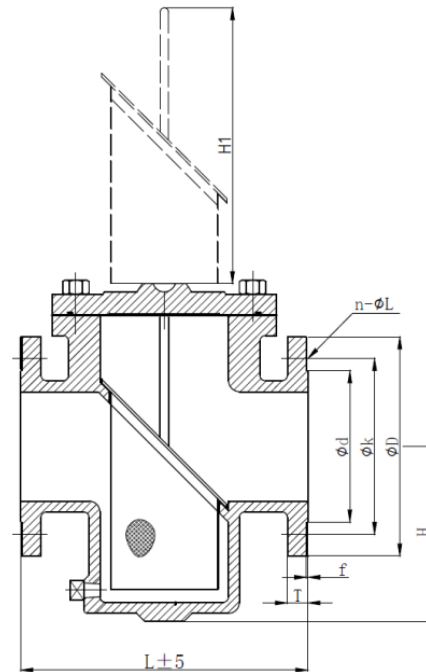
1. Water plant and water engineering;
2. Environmental protection;
3. Electric power and Public utilities;
4. Fire fighting system

**Installation Dimensions:**

Connection Dimensions: BS EN 1092-2



DN50~DN150



DN200~DN600

| Dimension (mm) | L    | H   | Ød  | Øk  | ØD  | n  | ØL | T    | f | H1   |
|----------------|------|-----|-----|-----|-----|----|----|------|---|------|
| DN50           | 207  | 98  | 99  | 125 | 165 | 4  | 19 | 19   | 3 | 189  |
| DN65           | 210  | 112 | 118 | 145 | 185 | 4  | 19 | 19   | 3 | 206  |
| DN80           | 251  | 125 | 132 | 160 | 200 | 8  | 19 | 19   | 3 | 222  |
| DN100          | 292  | 160 | 156 | 180 | 220 | 8  | 19 | 19   | 3 | 315  |
| DN125          | 334  | 185 | 184 | 210 | 250 | 8  | 19 | 19   | 3 | 325  |
| DN150          | 378  | 235 | 211 | 240 | 285 | 8  | 23 | 19   | 3 | 332  |
| DN200          | 475  | 295 | 266 | 295 | 340 | 12 | 23 | 20   | 3 | 463  |
| DN250          | 511  | 340 | 319 | 355 | 405 | 12 | 28 | 22   | 3 | 543  |
| DN300          | 680  | 405 | 370 | 410 | 460 | 12 | 28 | 24.5 | 4 | 684  |
| DN350          | 769  | 585 | 429 | 470 | 520 | 16 | 28 | 26.5 | 4 | 849  |
| DN400          | 842  | 590 | 480 | 525 | 580 | 16 | 31 | 28   | 4 | 926  |
| DN450          | 890  | 628 | 548 | 585 | 640 | 20 | 31 | 30   | 4 | 1080 |
| DN500          | 900  | 696 | 609 | 650 | 715 | 20 | 34 | 31.5 | 4 | 1207 |
| DN600          | 1000 | 834 | 720 | 770 | 840 | 20 | 37 | 36   | 5 | 1235 |