

## Basket Strainer (W-LG45-16Q)

### Application:

The Watts W-LG45-16Q Basket Strainer is designed to filtrate impurities in the piping system. Maintenance is fast by easy remove the retainer cap of the basket strainer. This strainer may only be install in a horizontal position.

### Features:

1. Ductile iron body coated with epoxy
2. Stainless steel 304 screen
3. Flanged connections under BS EN 1092-2
4. Blowdown plug
5. Horizontal installation only



### Technical Specification:

Nominal Size:	DN50 ~ DN600
Working Pressure:	PN16
Working Temperature:	0°C ~ 80 °C
Fluid Medium:	Water
Test Standard:	BS EN 12266-1

### Material:

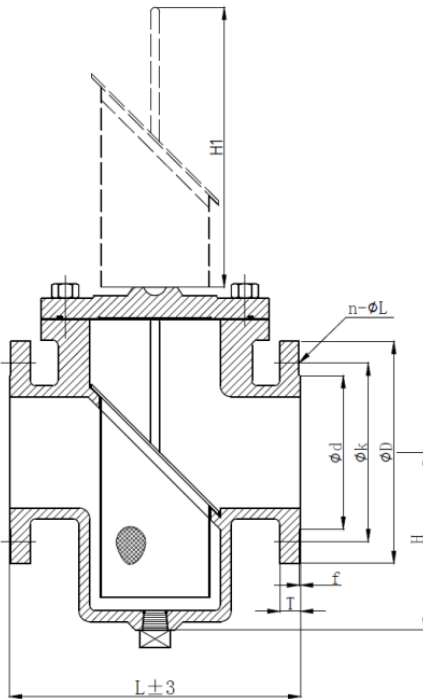
Part	Body	Retainer Cap	Screen	O-ring	Blowdown Plug
Material	Ductile Iron coated with Epoxy	Ductile Iron coated with Epoxy	Stainless Steel 304	EPDM	Carbon Steel

### Typical Application:

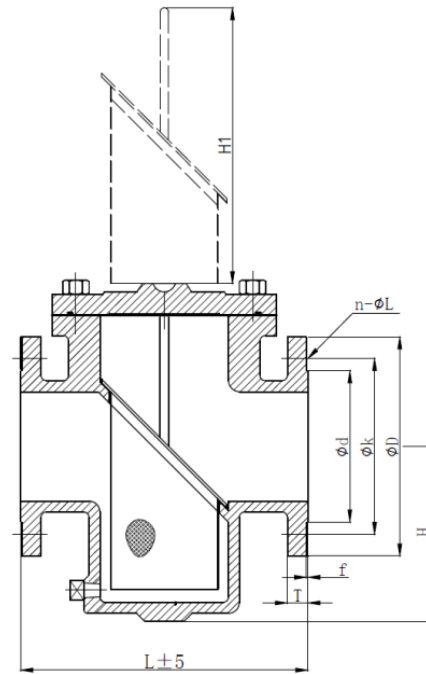
1. Water plant and water engineering;
2. Environmental protection;
3. Electric power and Public utilities;
4. Fire fighting system

**Installation Dimensions:**

Connection Dimensions: BS EN 1092-2



DN50~DN150



DN200~DN600

Dimension (mm)	L	H	Ød	Øk	ØD	n	ØL	T	f	H1
DN50	207	98	99	125	165	4	19	19	3	189
DN65	210	112	118	145	185	4	19	19	3	206
DN80	251	125	132	160	200	8	19	19	3	222
DN100	292	160	156	180	220	8	19	19	3	315
DN125	334	185	184	210	250	8	19	19	3	325
DN150	378	235	211	240	285	8	23	19	3	332
DN200	475	295	266	295	340	12	23	20	3	463
DN250	511	340	319	355	405	12	28	22	3	543
DN300	680	405	370	410	460	12	28	24.5	4	684
DN350	769	585	429	470	520	16	28	26.5	4	849
DN400	842	590	480	525	580	16	31	28	4	926
DN450	890	628	548	585	640	20	31	30	4	1080
DN500	900	696	609	650	715	20	34	31.5	4	1207
DN600	1000	834	720	770	840	20	37	36	5	1235