

Fig. 3850G / 3851G / 4850G / 4851G / 5850G Semi-Lugged Wafer Pattern Gearbox Operated Butterfly Valves

FEATURES & BENEFITS

- Universal Pattern - Valves are suitable for use with flanges conforming to BS EN 1092-2 PN16 or ANSI B16.1 Class 125
- Fig. 5850G sizes DN350 to DN600 are PN10 rated
- Valve generally conforms to BS EN593
- Ductile Iron and Stainless Steel Disc Options
- EPDM and Nitrile Seat Liner Options
- 420 Stainless Steel Shafts for superior strength
- Fig. 5850G features Stainless Steel 316 disc, shaft & pin for use in salt water applications



VALVE SELECTION

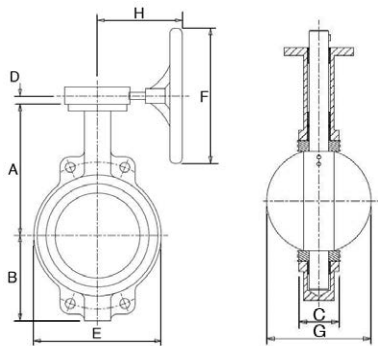
	EPDM Liner	Nitrile Liner
Ductile Iron Disc	3850G	3851G
Stainless Steel 304 Disc	4850G	4851G
Stainless Steel 316 Disc	5850G	-

MATERIAL SPECIFICATION

Part	Material	ASTM	BS EN *
Body	Ductile Iron	ASTM A536 65-45-12	EN GJS-400-15
Disc (3850G & 3851G)	Ductile Iron Epoxy coated	ASTM A536 65-45-12	EN GJS-400-15
Disc (4850G & 4851G)	Stainless Steel 304	A351 CF8	EN 10213 1.4308
Disc (5850G)	Stainless Steel 316	A351 CF-8M	EN 10213 1.4408
Liner (3850G, 4850G & 5850G)	EPDM	-	-
Liner (3851G & 4851G)	Nitrile Rubber	-	-
Shaft	Stainless Steel 420	A276 420	EN 10088-3: 1.4021
Shaft (5850G)	Stainless Steel 316	A276 316	EN 10088-3: 1.4401
O-Ring	Nitrile Rubber	-	-
Taper Pin	Stainless Steel 431	A276 431	EN 10088-3: 1.4057
Taper Pin (5850G)	Stainless Steel 316	A276 316	EN 10088-3: 1.4401
Gearbox DN150 to DN350	Grey Cast Iro	-	EN-GJL-250
Gearbox DN400 to DN600	Ductile Iron	-	EN-GJL-400-15

* BS EN material grade denotes the nearest equivalent to ASTM grade

DIMENSIONAL DRAWINGS



PRESSURE/ TEMPERATURE RATING

PN10, PN16 & ANSI Class 125
-10 to 120°C (3850G / 4850G / 5850G)
-10 to 82°C (3851G / 4851G)

TEST PRESSURES: (Hydrostatic)
SHELL: 24bar; Seat: 17.6 bar

SPECIFICATION

End connections compatible with BS EN1092-2 PN16 & ANSI B16.1 Class 125 flanges.

Suitable for Group 2 liquids only as defined by the Pressure Equipment Directive 97/23/EC.

END CONNECTION: Semi-Lugged

OPERATOR: Gearbox

OTHER: Bare shaft options available
(Fig No. 3850B / 3851B / 4850B / 4851B / 5850B)

Please contact Hattersley for bare shaft top works details

DIMENSIONS & WEIGHTS

Nom Size	mm	150	200	250	300	350	400	450	500	600
A	mm	204	247	280	324	310	340	375	425	505
B	mm	137	174	209	253	255	318	330	367	443
C	mm	56	60	68	78	78	102	114	127	154
D	mm	32	45	45	45	48	64	64	64	82
E	mm	210	264	319	374	412	482	535	586	698
F	mm	150	300	300	300	300	300	300	300	400
G	mm	156	202	250	302	334	389	441	490	592
H	mm	174	237	237	225	225	254	254	254	301
Weight	kg	12	21	28	40	48	90	111	143	223
Kv		1838	2687	4576	7069	10211	14042	18598	23914	36946

Every effort has been made to ensure that the information contained in this publication is accurate at the time of publishing. Hattersley Ltd assumes no responsibility or liability for typographical errors or omissions or for any misinterpretation of the information within the publication and reserves the right to change without notice.