

# Fig. 3850L / 3851L / 4850L / 4851L / 5850L Semi-Lugged Wafer Pattern Lever Operated Butterfly Valves

## FEATURES & BENEFITS

- Universal Pattern - Valves are suitable for use with flanges conforming to BS EN 1092-2 PN16 or ANSI B16.1 Class 125
- Valve generally conforms to BS EN593
- Ductile Iron and Stainless Steel Disc Options
- EPDM and Nitrile Seat Liner Options
- 420 Stainless Steel Shafts for superior strength
- Fig. 5850L features Stainless Steel 316 disc, shaft & pin for use in salt water applications



## VALVE SELECTION

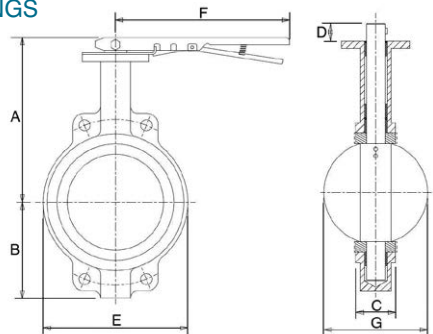
	EPDM Liner	Nitrile Liner
Ductile Iron Disc	3850L	3851L
Stainless Steel 304 Disc	4850L	4851L
Stainless Steel 316 Disc	5850L	-

## MATERIAL SPECIFICATION

Part	Material	ASTM	BS EN *
Body	Ductile Iron	ASTM A536 65-45-12	EN GJS-400-15
Disc (3850L & 3851L)	Ductile Iron Epoxy coated	ASTM A536 65-45-12	EN GJS-400-15
Disc (4850L & 4851L)	Stainless Steel 304	A351 CF8	EN 10213 1.4308
Disc (5850L)	Stainless Steel 316	A351 CF-8M	EN 10213 1.4408
Liner (3850L, 4850L & 5850L)	EPDM	-	-
Liner (3851L & 4851L)	Nitrile Rubber	-	-
Shaft	Stainless Steel 420	A276 420	EN 10088-3: 1.4021
Shaft (5850L)	Stainless Steel 316	A276 316	EN 10088-3: 1.4401
Taper Pin	Stainless Steel 431	A276 431	EN 10088-3: 1.4057
Taper Pin (5850L)	Stainless Steel 316	A276 316	EN 10088-3: 1.4401
O-Ring	Nitrile Rubber	-	-
Bushing	PTFE	-	-
Lever & Screw	Malleable Iron	Gr.32510	-
Stop Plate	Mild Steel Chromium Plated	GB700 Q235	-

\* BS EN material grade denotes the nearest equivalent to ASTM grade

## DIMENSIONAL DRAWINGS



## PRESSURE/ TEMPERATURE RATING

PN16 & ANSI Class 125  
-10 to 120°C (3850L / 4850L / 5850L)  
-10 to 82°C (3851L / 4851L)

TEST PRESSURES: (Hydrostatic)  
SHELL: 24bar; Seat: 17.6 bar

## SPECIFICATION

End connections compatible with  
BS EN1092-2 PN16 & ANSI B16.1  
Class 125 flanges.

Suitable for Group 2 liquids only as defined by  
the Pressure Equipment Directive 97/23/EC.

END CONNECTION: Semi-Lugged

OPERATOR: Trigger Lever

OTHER: Bare shaft options available  
(Fig No. 3850B / 3851B /  
4850B / 4851B / 5850B)

Please contact Hattersley for bare shaft top  
works details

## DIMENSIONS & WEIGHTS

Nom Size	mm	50	65	80	100	125	150	200
A	mm	178	190	200	216	230	243	300
B	mm	61	72	87	106	123	137	174
C	mm	43	46	46	52	56	56	60
D	mm	32	32	32	32	32	32	45
E	mm	92	104	123	156	180	210	264
F	mm	216	216	216	265	265	265	374
G	mm	53	65	79	104	123	156	202
Weight	kg	2.1	2.4	3.0	4.3	5.9	7.3	12.0
Kv		91	141	246	585	861	1838	2687

Every effort has been made to ensure that the information contained in this publication is accurate at the time of publishing. Hattersley Ltd assumes no responsibility or liability for typographical errors or omissions or for any misinterpretation of the information within the publication and reserves the right to change without notice.