

Fig. 3870MG / 3871MG / 4870MG / 4871MG / 5870MG

Fully Lugged Gearbox Operated Butterfly Valves

FEATURES & BENEFITS

- Valves are suitable for use with flanges conforming to BS EN 1092-2 PN16
- Fig. 5870MG sizes DN350 to DN600 are PN10 rated
- Valve generally conforms to BS EN593
- Ductile Iron and Stainless Steel Disc Options
- EPDM and Nitrile Seat Liner Options
- 420 Stainless Steel Shafts for superior strength
- Fig. 5870MG features Stainless Steel 316 disc, shaft & pin for use in salt water applications



* BS EN material grade denotes the nearest equivalent to ASTM grade

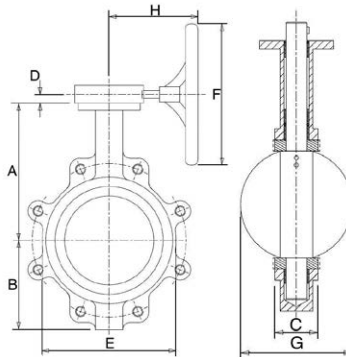
VALVE SELECTION

	EPDM Liner	Nitrile Liner
Ductile Iron Disc	3870MG	3871MG
Stainless Steel 304 Disc	4870MG	4871MG
Stainless Steel 316 Disc	5870MG	-

MATERIAL SPECIFICATION

Part	Material	ASTM	BS EN *
Body	Ductile Iron	ASTM A536 65-45-12	EN-GJS-400-15
Disc (3870MG & 3871MG)	Ductile Iron Epoxy coated	ASTM A536 65-45-12	EN-GJS-400-15
Disc (4870MG & 4871MG)	Stainless Steel 304	A351 CF8	EN 10213 1.4308
Disc (5870MG)	Stainless Steel 316	A351 CF-8M	EN 10213 1.4408
Liner (3870MG, 4870MG & 5870MG)	EPDM	-	-
Liner (3871MG & 4871MG)	Nitrile rubber	-	-
Shaft	Stainless Steel 420	A276 420	EN 10088-3: 1.4021
Shaft (5870MG)	Stainless Steel 316	A276 316	EN 10088-3: 1.4401
Taper Pin	Stainless Steel 431	A276 431	EN 10088-3: 1.4057
Taper Pin (5870MG)	Stainless Steel 316	A276 316	EN 10088-3: 1.4401
O-Ring	Nitrile rubber	-	-
Bushing	PTFE	-	-
Gearbox DN150 to DN350	Grey Cast Iron	-	EN-GJL-250
Gearbox DN400 to DN600	Ductile Iron	-	EN-GJL-400-15

DIMENSIONAL DRAWINGS



DIMENSIONS & WEIGHTS

Nom Size	mm	150	200	250	300	350	400	450	500	600
A	mm	204	247	280	324	310	340	375	425	505
B	mm	137	174	209	253	260	317	330	367	443
C	mm	56	60	68	78	78	102	114	127	154
D	mm	32	45	45	45	48	64	64	64	82
E	mm	210	264	315	374	406	470	524	580	692
F	mm	150	300	300	300	300	300	300	300	400
G	mm	156	202	250	302	334	389	441	490	592
H	mm	174	237	237	225	225	254	254	254	301
Weight	kg	15	26	34	49	63	108	140	179	274
Kv		1838	2687	4576	7069	10211	14042	18598	23914	36946

PRESSURE/ TEMPERATURE RATING

PN10 & PN16
-10 to 120°C (3870MG / 4870MG / 5870MG)
-10 to 82°C (3871MG / 4871MG)

TEST PRESSURES: (Hydrostatic)
SHELL: 24bar; Seat: 17.6 bar

SPECIFICATION

End connections compatible with BS EN1092-2 PN16 flanges.

Suitable for Group 2 liquids only as defined by the Pressure Equipment Directive 97/23/EC.

END CONNECTION: Fully Lugged

OPERATOR: Gearbox

OTHER: Bare shaft options available
(Fig No. 3870MB/ 3871MB/
4870MB/ 4871MB/ 5870MB)

Please contact Hattersley for bare shaft top works details

Every effort has been made to ensure that the information contained in this publication is accurate at the time of publishing. Hattersley Ltd assumes no responsibility or liability for typographical errors or omissions or for any misinterpretation of the information within the publication and reserves the right to change without notice.