

# Fig. 3870ML / 3871ML / 4870ML / 4871ML / 5870ML Fully Lugged Lever Operated Butterfly Valves

## FEATURES & BENEFITS

- Valves are suitable for use with flanges conforming to BS EN 1092-2 PN16
- Valve generally conforms to BS EN593
- Ductile Iron and Stainless Steel Disc Options
- EPDM and Nitrile Seat Liner Options
- 420 Stainless Steel Shafts for superior strength
- Fig. 5870ML features Stainless Steel 316 disc, shaft & pin for use in salt water applications



## VALVE SELECTION

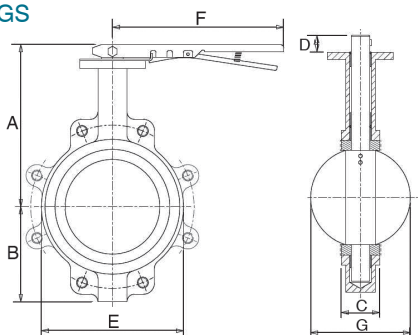
	EPDM Liner	Nitrile Liner
Ductile Iron Disc	3870ML	3871ML
Stainless Steel Disc	4870ML	4871ML
Stainless Steel 316 Disc	5870ML	-

## MATERIAL SPECIFICATION

Part	Material	ASTM	BS EN *
Body	Ductile Iron	GGG40	EN GJS-400-15
Disc (3870ML & 3871ML)	Ductile Iron Epoxy coated	GGG40 + FBE	EN GJS-400-15
Disc (4870ML & 4871ML)	Stainless Steel 304	A351 CF8	EN 10213 1.4308
Disc (5870ML)	Stainless Steel 316	A351 CF-8M	EN 10213 1.4408
Liner (3870ML, 4870ML & 5870ML)	EPDM	-	-
Liner (3871ML & 4871ML)	Nitrile rubber	-	-
Shaft	Stainless Steel 420	A276 420	EN 10088-3: 1.4021
Shaft (5870ML)	Stainless Steel 316	A276 316	EN 10088-3: 1.4401
Taper Pin	Stainless Steel 431	A276 431	EN 10088-3: 1.4057
Taper Pin (5870ML)	Stainless Steel 316	A276 316	EN 10088-3: 1.4401
O-Ring	Nitrile rubber	-	-
Bushing	PTFE	-	-
Lever & Screw	Malleable Iron	Gr.32510	-
Stop Plate	Mild Steel Chromium Plated	GB700 Q235	-

\* BS EN material grade denotes the nearest equivalent to ASTM grade

## DIMENSIONAL DRAWINGS



## DIMENSIONS & WEIGHTS

Nom Size	mm	50	65	80	100	125	150	200
A	mm	178	190	200	216	230	243	300
B	mm	61	72	87	106	123	137	174
C	mm	43	46	46	52	56	56	60
D	mm	32	32	32	32	32	32	45
E	mm	93	104	121	152	181	210	264
F	mm	216	216	216	265	265	265	374
G	mm	53	65	79	104	123	156	202
Weight	kg	2.9	3.4	4.8	6.5	8.5	10.5	17.1
Kv		91	141	246	585	861	1838	2687

## PRESSURE/ TEMPERATURE RATING

PN16  
-10 to 120°C (3870ML / 4870ML / 5870ML)  
-10 to 82°C (3871ML / 4871ML)

TEST PRESSURES: (Hydrostatic)  
SHELL: 24bar; Seat: 17.6 bar

## SPECIFICATION

End connections compatible with BS EN1092-2 PN16 flanges.

Suitable for Group 2 liquids only as defined by the Pressure Equipment Directive 97/23/EC.

END CONNECTION: Fully Lugged  
OPERATOR: Trigger Lever  
OTHER: Bare shaft options available (Fig No. 3870MB/ 3871MB/ 4870MB/ 4871MB/ 5870MB)

Please contact Hattersley for bare shaft top works details

Every effort has been made to ensure that the information contained in this publication is accurate at the time of publishing. Hattersley Ltd assumes no responsibility or liability for typographical errors or omissions or for any misinterpretation of the information within the publication and reserves the right to change without notice.